

SKLOPNÉ PÁNVE
PATELNIÉ SKŁADANE
TILTING PANS
CASSEROLES PLIANTES
FALTPFANNEN

INSTRUCTION FOR INSTALLATION AND USE
DIE GEBRAUCHS UND INSTALLATIONSANWEISUNG
NOTICE D'INSTALLATION ET D'EMPLOI
NÁVOD K OBSLUZE A INSTALACI
INSTRUKCJE MONTAŻU I OBSŁUGI



BR(M) 50-78 ET(N)
BR(M) 80-98 ET(N)
BR(M) 120-912 ET(N)

CE
1015-22

www.rmgastro.com





CONTENT

Declaration of a standards conformity	3
Instruction for use	6
Cleaning and maintenance	8



INHALT

Die Normenübereinstimmungsdeklaration	9
Gebrauchsanweisung	12
Die Reinigung und Instandhaltung	14



CONTENU

Déclaration de conformité	15
Mode d'emploi	18
Nettoyage et entretien	20



OBSAH

Prohlášení o souladu s normami	29
Návod k použití	34
Čistění a údržba	36



TREŚĆ

Oświadczenie o zgodności z normami	37
Instrukcja obsługi	41
Czyszczenie i konserwacja	43

DECLARATION OF A STANDARDS CONFORMITY

The producer confirms that the devices agree with 2014/30/EU, 2014/35/EU standards, rule nr. 117/2016 sb., 118/2016 sb. and with relevant government orders. Instalation must be done with respect to valid standards. Attention, the producer refuses any responsibility in case of direct or indirect damages which are caused due to wrong instalation, incorrect intervention or modification, insufficient maintenance, incorrect use and also possibly caused by other reasons presented by items in sale conditions. This appliance is set only for skilled use and must be operated by qualified persons only. Parts set and secured by the producer or accredited person must not be rebuilt by user.

TECHNICAL DATA

Label with technical data is placed on the back side of the device. Study the electrical diagram of connection and all following information before instalation.

Model	Dimension	Volume (l)	Power (kW)/ Voltage	Bath tilting	Material of bath bottom
BR 50-78 ET	80x90x90	50	10,5 kW/400V	manual	FE
BRM 50-78 ET	80x90x90	50	10,5 kW/400V/230	electric	FE
BR 50-78 ET/N	80x90x90	50	10,5 kW/400V	manual	INOX
BRM 50-78 ET/N	80x90x90	50	10,5 kW/400V/230	electric	INOX
BR 80-98 ET	80x90x90	80	15 kW/400V	manual	FE
BRM 80-98 ET	80x90x90	80	15 kW/400V/230	electric	FE
BR 80-98 ET/N	80x90x90	80	15 kW/400V	manual	INOX
BRM 80-98 ET/N	80x90x90	80	15 kW/400V/230	electric	INOX
BR 120-912 ET	80x90x90	120	18 kW/400V	manual	FE
BRM 120-912 ET	80x90x90	120	18 kW/400V/230	electric	FE
BR 120-912 ET/N	80x90x90	120	18 kW/400V	manual	INOX
BRM 120-912 ET/N	80x90x90	120	18 kW/400V/230	electric	INOX

PACKING AND DEVICE CHECK

The device leaves our stocks properly packed with appropriate symbols and labels. There are also appropriate instructions for use. In case the packing shows bad handling or damage, it must be reclaimed at transporter immediately by writing and signing of a damage protocol.

Important notice:

-This product is only intended for use inside.

Never use the appliance if it has a damaged supply cable or plug, if it is not working correctly, has fallen to the ground and been damaged or fallen into water. In such cases take the appliance to a professional service in order to verify that it is safe and works correctly.

- only for professional use
- this instructing guide must be read properly and carefully because it contains important information about safety elements, installation, use
- these recommendations refer to this product
- this product corresponds with valid standards
- this guide must be properly deposited for future use
- keep the children away from manipulation with the product
- when selling or moving the product to another place it is necessary to make yourself sure that the staff or the professional service has got acquainted with control and installation instructions from enclosed guide
- only authorised person can operate the product
- it can not be switched on without supervision
- we recommend to have the product checked by professional service min. once a year
- only original spare parts can be used for repairs
- the product can not be cleaned by the water jet or pressure shower
- by damage or break down disconnect all the feeders (water, gas, electricity) and call professional service
- producer refuses any responsibility in case of damages caused by wrong installation, by disobeying of above mentioned recommendations or by other use etc.

PLACEMENT

The device must be installed in well ventilated room what is necessary for regulation of the function of the device (technician must go by valid standard (EN....)). If the device is situated close to the wall or if it is in contact with the furniture walls, these walls must resist the temperatures ranging to 90°C. Installation, setting, putting into operation must be done by qualified person who is competent for this and according to the valid standards.

Wrap up the device and check whether it was not damaged during transport. Settle the device on horizontal surface (max imbalance 2°). Settle the device under the fumehood to eliminate water steam and bad smell. The device can be installed separately or in a set with devices of our production. Min. distance 10 cm from other subjects must be kept. It is also necessary to prevent our product from contact with combustible materials. In this case you must make corresponding changes to secure heat isolation of combustible parts. Safety measures from the standpoint of the fire protection according to EN 061008čl. 21:

TECHNICAL INSTRUCTIONS FOR INSTALLATION AND REGULATION

Important:

The manufacturer does not provide warranty for defects caused by improper use, failure to instructions contained in the attached instructions for use and mistreatment of the appliances.

Installation, adjustment and repair of appliances for kitchens, as well as their removal because of possible damage to the gas can be carried out only under a maintenance contract, this contract may be signed with an authorized dealer, and must be complied with regulations and technical standards and regulations regarding the installation, power supply, gas connection and health & safety system.

These instructions are intended for the qualified technician who must perform the installation, put it into operation and test the appliance.

Any activity as settings, placement, rebalancing etc, must be made only when is device disconnected from electricity. If it is necessary to have the device connected to the electricity you must keep the highest attention to avoid any injuries.

DEVICE INSTALLATION


CONNECTION OF THE ELECTRIC CABLE TO THE ELECTRICITY

Installation of electric feeder - This feeder must be separately protected by a safety fuse according to the specific electric stream which depends on the wattage of the installed device. Check the wattage on the label at the back of the device. Connect the device directly to the electricity but you must put the switch between the device and electric net. The switch must be placed in min. distance 3 mm between the particular contacts according to the standards and loading. The feeder of grounding (yellow-green) cannot be interrupted by this switch. In every case feeding cable must be placed so that no point of the cable will reach the temperature which is 50°C higher than the temperature of the surrounding. Before connecting the device check that:

- safety fuse of the feeder and inner mains can stand the loading of the device (see label of the matrix)
- mains are equipped with effective grounding according to standards (ČSN) and conditions given by law
- socket or switch of the feed is well accessible from device

We refuse any responsibility in case of not respecting above mentioned rules. Before the first use it is necessary to remove all the protection foil and to clean the device - see chapter „cleaning and maintenance“.

Maintenance: We recommend to have the device checked once a year by the professional service. Only qualified or competent persons can do interventions in the product.

-  -Do not insert the power cable plug into the el. socket and do not pull it out of the el. socket with wet hands or by pulling on the cable!
-Do not use extension cables or power strips.

WATER CONNECTION

Water connection is performed with hose threaded G1/2. The water supply must be equipped with a separate valve which is freely available and within range of the device. The equipment includes a check valve.

- Water hardness must be in range 0,5 - 5 ° French degree.

IF HIGHER, IT IS NECESSARY USE WATER SOFTENING SYSTEM.

- Water pressure must be within range 50 - 250kPa.
- Volume of chlorine in the water shall not be higher than 10ppm, or you risk bath surface damage
- Acidity of water must be higher than 7 pH.
- Electrical conductivity: 50 - 2000uS/cm (20°C)
- The connection must be made according to directive EN 1717 and with valid to national directives for aquaculture.

SAFETY MEASURES FROM THE STANDPOINT OF THE FIRE PROTECTION ACCORDING TO EN 061008 ČL. 21

- only adults can operate the device
- device must be safely used in common surroundings according to EN 332000-4-462; EN 332000-4-42. You must switch the gas device off under the circumstances leading: to the danger of the temporary rise of the combustion gas or steam or during works when there is a big possibility of rise of the temporary fire danger or explosion (for example: to stick linoleum, PVC etc.).
- before you start to instal the device you must get the licence for connection to the gas feeder from the gasworks
- device must be placed so as to stand or hang on the noncombustible surface which is on each side 10 cm larger than the device. No subjects from combustible materials can be placed directly on the device or in distance which is shorter than safety distance (the shortest distance is 50 cm in the direction of the heat emission and 10 cm in other directions).- safety distances from various materials of different degree of combustion and information about the degree of comb. of common building materials - see chart:

Chart:

Combustion degree of building materials classified according to the combustion degree of materials and products (EN 730823)

A noncombustible	granit, sandstone, concretes,bricks, ceramic wallfacing tiles, plaster
B uneasily combustible	akumine, heraklite, lihnos, itavere
C1 hardly combustible	leafy wood, plywood, sirkoklit, rare paper formica
C2 middle combustible	fibreboards, solodure, cork boards, rubber,floor-coverings
C3 easily combustible	wood-fibreboards, polystyrene,polyurethane, PVC

Devices must be instalated in a safe way. When instaling you must respect corresponding project, safety and hygienic orders according to:

- EN 061008 fire protection of local devices and sources of heat
- EN 332000 (33 2000-4-482; 33 2000-4-42) surrounding for electric devices ČSN EN 1775 Gas supplying
- Gas fittings in the buildings - the highest operational pressure < 5 bar - operation demands
- § 10 law nr. 185/2001 Sb. about waste

INSTRUCTION FOR USE

Attention!

Before the first use of the appliance you must remove protection foil, wash the device and bath with water containing washing liquid and then dry with the cleaning cloth. Into the bottom of the bath spread a vegetable oil and begin burning procedure by 230° of Celsius. Before you start cooking, it is necessary make this burning procedure. The optimum is about 3–5 days use appliance as frying pan, and then for cooking. If pans washing was done by chemical substances, we recommend to use about 4-6 cycles as frying pan before you start cooking in it again. The device cannot be used under any circumstances as a fryer or its substitute

Attention!

Never leave device unattended while in use. Always use device under supervision. Tilting pan can be used for meat frying, sauce cooking, potato cooking, soup making etc. Never switch device on, if is pan empty.

Switching on and off

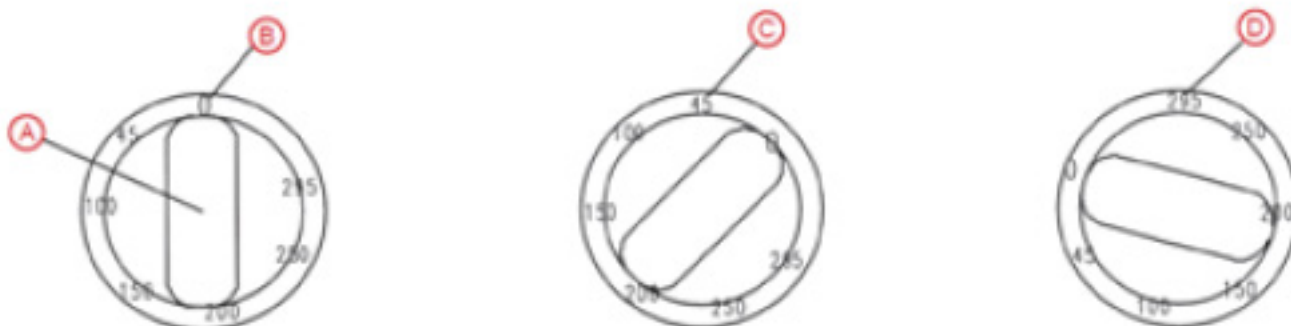
Turn the control knob to right and set required temperature between 45 - 295 ° degrees of Celsius. When device switched on, orange control light is lighting, green control light is indicating working heaters. If green light goes off, temperature is set. To switch the device off, set control knob back to position 0.

Filling water to the bath

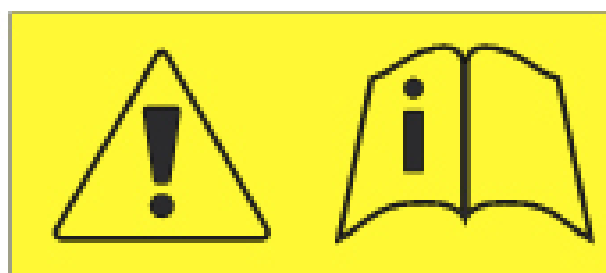
Open valve for water filling and when achieve required volume of the water, simply close it. Water fills up only when the lid of the bath is open.

Draining of the bath

Tilt the bath to required position for her drain with help of the manipulation handle. Attention! Before you start draining of the bath, attach under overflow suitable container. Keep maximum attention if you will be manipulating with boiling content. After successful bath draining, return it back to operation position



- (A) Control Knob
- (B) Position 0
- (C) Position minimum power
- (D) Position maximum power



SYSTEM OF BATH TILTING

For manual tilting follow the instructions bellow:

System of bath tilting

For manual tilting follow the instructions bellow:

- 1) Under overflow put suitable and heatproof container
- 2) Make sure, that you let cool down content after frying
- 3) On the control wheel, tilt manipulating handle
- 4) for lifting up and draining, circle with control wheel to right, to bring the bath back into operation position, circle with control wheel to left
- 5) Try to do lifting up and draining of the bath as smooth as possible to avoid excess vibrating of the bath

Never pour oil off the bath at frying temperature. Keep maximum attention while manipulating the bath and its content, some components of the bath could be very hot even the content was cooled.

When you do electric tilting, observe the above warnings and use this button instead of handles. Lift up pan with up arrow, with down arrow return pan to the basic position



CLEANING

ATTENTION!

The device cannot be cleaned by direct or pressure water. Clean it daily. Daily maintenance keeps longer useful life and efficiency of the device. Before cleaning make sure to have disconnected the device from electricity. Always switch off the main feeder to the device. Stainless steel parts wash with moist cleaning cloth and detergent without groove parts, then dry it with the cloth. Do not use abrasive and corrosive detergents; do not splash it with running water. Do not try to remove the Dark thin layer on the bottom of the bath, it does creating protective layer of the surface. After washing treat bottom of the bath with vegetable oil. When all cleaning procedures finished, return all back in to basic position. In the case of longer time of appliance unused, leave the lid open to maintain airflow.

- In case of outage:

- Immediately shut down water inlet, gas feeder and disconnect from electricity

- **In case of longer outage, we recommend clean the bath and mothball the bottom bath with oil**

MAINTENANCE AND PRODUCT WARRANTY

By prolonged use of the appliance, it is necessary maintain regular maintenance for safe use, we strongly recommend sign contract with technical service. Maintenance can be provided only with qualified technician following updated directives, laws and instructions from this manual. We recommend having the appliance serviced by professional service at least once in 6 month, in extreme use of the appliance once in 3 months. Preventive inspections can prevent serious problems and thereby reduce the economic burden of operations.

ATTENTION

Warranty does not cover all consumption parts succumb able to wear (rubber, seals, bulbs, glass and plastic parts etc.) Also guarantee does not refer to the devices which were not installed in correspondence with instructions, tampering or violation the rules of use. Damages caused due to influence of nature or other outer intervention is not covered by our warranty policy too.

In case of breakdown:

Shut off the gas feeder immediately, disconnect from electricity and call professional service organisation. By prolonged outage shut off main gas valve.

The manufacturer assumes no responsibility for injury or property damage arising from failure to comply with health& safety regulations or to use the device for purposes other than intended.

Instructions for disposal:

Our product's packing is made on non-polluting materials, therefore compatible with the environment and recyclable. Please help by disposing of the packing correctly. Find the addresses of collection, recycling and disposal centre from your retailer or from the competent local organization. Do not throw the packing or any part of it away. They can constitute a suffocation hazard for children.

Your old appliance also needs to be disposed off correctly. Hand over your appliance to the local agency authorized for the collection of electric or gas appliances no longer in use. Correct disposal means intelligent recycling of valuable materials. It is also necessary to cut the interconnecting cable to the power supply network, removing it along with the plug.

DIE NORMENÜBEREINSTIMMUNGSDEKLARATION

Der Produzent erklärt, daß die Geräte in einer Übereinstimmung mit den Vorschriften der 2014/35/EU, 2014/30/EU dem Gesetz Nr. 118/2016 sb., 117/2016 sb. der Sammlung und zugehörigen Regierungsverordnungen stehen. Die Installation muss mit der Absicht auf geltende Normen durchgeführt werden. Vorsicht, im Falle einer direkten oder indirekten Beschädigung, die sich auf falsche Installation, unrichtigen Eingriff oder Anpassungen, ungenügende Instandhaltung, unrichtige Verwendung beziehen, und welche eventuell durch andere Ursachen, als in Punkten der Verkaufsbedingungen angeführt ist, so verzichtet der Importeur auf jegliche Verantwortung. Dieses Gerät ist nur für fachliche Verwendung bestimmt und muß durch qualifizierte Person bedient werden. Teile, die nach der Einstellung durch den Hersteller oder durch befugte Person gesichert wurden, dürfen vom Benutzer keineswegs umgestellt werden.

DIE TECHNISCHEN DATEN

Das Schild mit technischen Angaben ist auf der Rückseite des Gerätes angebracht. Studieren sie vor der Installation das elektrische Schema der Einschließung und alle folgende Informationen durch.

Type	Größe (cm)	Volumen (l)	Macht (kW)/Bedarf/ Spannung	Bad kippen	Material von bad grund
BR 50-78 ET	80x90x90	50	10,5 kW/400V	handbuch	FE
BRM 50-78 ET	80x90x90	50	10,5 kW/400V/230	electric	FE
BR 50-78 ET/N	80x90x90	50	10,5 kW/400V	handbuch	INOX
BRM 50-78 ET/N	80x90x90	50	10,5 kW/400V/230	electric	INOX
BR 80-98 ET	80x90x90	80	15 kW/400V	handbuch	FE
BRM 80-98 ET	80x90x90	80	15 kW/400V/230	electric	FE
BR 80-98 ET/N	80x90x90	80	15 kW/400V	handbuch	INOX
BRM 80-98 ET/N	80x90x90	80	15 kW/400V/230	electric	INOX
BR 120-912 ET	80x90x90	120	18 kW/400V	handbuch	FE
BRM 120-912 ET	80x90x90	120	18 kW/400V/230	electric	FE
BR 120-912 ET/N	80x90x90	120	18 kW/400V	handbuch	INOX
BRM 120-912 ET/N	80x90x90	120	18 kW/400V/230	electric	INOX

DIE VERPACKUNGS-, UND VORRICHTUNGSKONTROLLE

Die Vorrichtung verlässt unsere Lager in ordentlicher Verpackung, auf deren die entsprechenden Symbole und Bezeichnungen stehen. In der Verpackung befindet sich entsprechende Bedienungsanweisung. Falls die Verpackung eine schlechte Behandlung oder Anzeichen der Beschädigungen vorweist, muß dieses sofort beim Transporteur reklamiert werden und zwar durch Unterzeichnung eines Schadensprotokolles.

Wichtige Hinweise

-Das Erzeugnis ist nur zur Verwendung im Innenraum bestimmt.

Verwenden Sie den Verbraucher nie, wenn die Speisezuleitung oder der Stecker beschädigt sind, das Gerät nicht richtig arbeitet, ist auf den Boden gefallen und hat sich beschädigt oder ist ins Wasser gefallen. Bringen Sie in solchen Fällen den Verbraucher zu einem Fach-Kundendienst zur Überprüfung seiner Sicherheit und richtiger Funktion.

- Nur für professionellen Verbrauch geeignet
- Diese Bedienungsanleitung muss ordentlich und bedächtig gelesen werden, weil sie wichtige Informationen über Sicherheitsmerkmale, Installation und Anwendung beinhaltet
- Diese Empfehlungen beziehen auf diesen Produkt
- Der Produkt entspricht geltenden Normen
- Diese Anleitung muß ordentlich für die zukünftige Verwendung hinterlegt werden
- Hindern Sie den Kinder an Vorrichtungsmannipulation
- Beim Verkauf oder Verlegung ist es notwendig sich zu überzeugen, daß die Bedienstperson oder Fachservis sich mit der Beherrschung und Installationsanweisung in beiliegender Anleitung, anvertraut gemacht haben.
- Das Produkt darf nur eingeschulte Bedienung bedienen
- Das Produkt darf nicht ohne Aufsicht ins Betrieb gesetzt sein
- Es ist empfohlen, minimal einmal pro Jahr eine Fachkontrolle durchführen zu lassen
- Bei eventueller Reparatur der Teilenumtauschungen müssen ausschließlich Originalteile angewendet werden
- Das Produkt darf nicht durch einen Wasserstrahl oder Druckbrause gereinigt werden
- Schalten Sie alle Leitungen (Wasser, Elektrizität, Gas) bei einer Störung oder beim schlechten Lauf aus und rufen Sie autorisierten Service an
- Der Hersteller verzichtet auf jegliche Verantwortung bei Störungen, die durch fehlerhafte Installation, Nichteinhaltung o.a. Empfehlungen, andere Verwendung u.ä, verursacht wurden

DIE PLATZIERUNG

Es ist unbedingt notwendig, zu der Regulation der Gerätetätigkeit, daß das Milieu - der Küche -, wo das Gerät installiert wird, sehr gut belüftbar ist (im Hinblick darauf: sei der Techniker sich mit geltenden Normen (EN) richtet). Wenn die Einrichtung so plaziert wird, daß sie im Mobiliarwandkontakt stehen wird, so müssen diese einer Temperatur von 90°C widerstehen. Die Installation, Herrichtung, Inbetriebnahme müssen durch qualifizierte Person, die zu solchen Vorkehrungen eine Befugnis hat und dies laut geltenden Normen nach, durchgeführt werden.

Packen Sie das Gerät aus und kontrollieren Sie , ob sich das Gerät während des Transportes nicht beschädigt hat. Platzieren Sie das Gerät auf eine waagrechte Fläche (maximale Unebenheit bis 2°). Stellen Sie das Gerät unter den Haubenabzug, damit Sie die Wasserdämpfe und den Geruch eliminieren. Das Gerät kann selbständig oder in einer Reihe mit Geräten unserer Herrstellung installiert werden. Es ist notwendig die minimale Entfernung von 10 cm zu anderen Gegenständen einzuhalten, so dass die Wärmeisolierung der brennbaren Teilen gewährleistet wird.

TECHNISCHE HINWEISE ZUR INSTALLATION UND REGELUNG

Wichtig:

Zur Benützung AUSSCHLIEßLICH nur für spezialisierte Techniker
Instruktionen, die folgen, wenden sich an den Techniker, der für die Installation qualifiziert ist, damit er alle Operationen mit der korrektesten Weise und laut der gültigen Normen durchführt.

Wichtig

Jeweils irgendeine Tätigkeit, die mit der Regulation verbunden ist u.ä, muß nur mit der aus dem Netz ausgezogenen und abgeschalteten Einrichtung vollgezogen sein.

Solange das Gerät unter der Spannung notwendig zu halten ist, eine höchste Vorsicht zu beachten vorliegt.

WASSERANSCHLUSS

Der Wasseranschluss erfolgt mit Hilfe eines Schlauchs mit einem Gewinde G1/2. Der Anschluss erfolgt nach dem Abnehmen der vorderen Platte (Abb. 1). Die Wasserzufuhr ist mit einem eigenständigen Hahn zu besetzen, der frei zugänglich und in Reichweite der Anlage ist. Bestandteil der Anlage ist ein Rückschlagventil.

- Die Wasserhärte muss im Bereich von 0,5 – 5 ° französische Grade liegen.

OBERHALB DIESES WERTES IST EIN WEICHMACHER ZU VERWENDEN.

- Der Wasserdruck muss im Bereich von 50 – 250 kPa liegen.
- Der Chlorgehalt im Wasser darf nicht höher als 10 ppm sein, andernfalls droht eine Beschädigung der Wannenoberfläche.
- Der Säuregehalt des Wassers muss über 7 pH liegen.
- Elektrische Leitfähigkeit: 50 – 2000 uS/cm (20 °C)
- Der Anschluss muss im Einklang mit EN 1717 sowie mit den geltenden nationalen Wasserwirtschaftsvorschriften stehen.

DER ELEKTRISCHE KABELNETZANSCHLUSS

Die Installation der elektrischen Ankupplung - Diese Zuleitung muß selbstständig gesichert werden. Und das durch entsprechende Sicherung des Nennstromes in der Abhängigkeit am Anschlußwert des installierten Gerätes. Kontrollieren sie den Anschlußwert des Apparates auf dem Produktionsschild im Hinterteil des Gerätes. Schließen Sie das Gerät direkt ans Netz an.

Es ist unbedingt notwendig zwischen das Gerät und das Netz einen Schalter zu legen, der eine minimale Entfernung von 3mm unter den Einzelkontakten aufweist und der auch den geltenden Normen und Belastungen entspricht. Die Erdungszuleitung (gelbgrün) darf nicht durch diesen Schalter unterbrochen sein.

Der Zuleitungskabel muß in jedem Fall so angebracht sein, dass er in keinem Punkt einer um 50°C höherer Temperatur als Umgebungstemperatur nicht erreicht. Eher das Gerät ans Netz angeschlossen wird, versichern Sie sich, dass:

- die Zuleitungssicherung und die Innenscheidung die Einrichtungsbelastung ertragen (siehe Matriceschild),
- die Verteilung mit wirksamer Erdung laut Normen (EN) und Gesetzbedingungen ausgestattet ist

WIR VERZICHTEN AUF JEGLICHE VERANTWORTUNG IM FALLE, DASS DIESE NORMEN NICHT RESPEKTIERT WERDEN UND IM FALLE DER NICHEINHALTUNG DER OBENERWÄHNTER GRUNDSÄTZE.

Es ist notwendig die Schutzfolie vor der ersten Benützung zu beseitigen, sowie das Gerät zu reinigen siehe das Kapitel „Reinigung und Instandhaltung“.



-Führen Sie den Stecker der Speisezuleitung in die el. Steckdose und ziehen ihn aus der el. Steckdose mit nassen Händen und durch Ziehen der Speisezuleitung nicht!

-Verwenden Sie keine Verlängerungskabel oder Kombisteckdosen.

DIE SICHERHEITSVORRICHTUNGEN AUS DER SICHT DES FEUERSCHUTZES LAUT EN. 061008 ČL. 21

Die Einrichtungsbedienungen dürfen nur Erwachsene ausführen

- Das Gerät darf sicher in gewöhnlicher Umgebung laut EN 332000-4-482; EN 332000-4-42 verwendet werden.
- Es ist notwendig das Gerät so platzieren, daß es auf einer unbrennbaren Grundlage steht oder hängt.
- Es dürfen, auf und in eine Entfernung, die kleineremase als sicher vom Gerät bezeichnet wird, keine Gegenstände aus brennbaren Materilien (die kleinste Entfernung vom Brennbarem ist 10 cm) aufgestellt werden.
- Die sicheren Entfernungen von Massen der einzelnen Brenngra

Tabelle:

Baumassefeuerbrenngrad ins Brenngrad (EN) der Massen und Produkte eingegliedert

A	Unbrennbar	Granit, Sandstein, beton, Ziegel, Keramikbekleidung, Putz
B	nicht einfach brennbar	Akumin, Heraklit, Lihnos, Itaver
C1	schwer brennbar	Holz, Laubbaum, Furnier Sirkoklit, Festpapier, Umakart
C2	mittel brennbar	Holzspanplatten, Solodur, Korkplatten, Hartgummi, Bodenbeläge
C3	leicht brennbar	Holzfasernplatten, Polystyren, Polyureten, PVC

Die Bedarfsartikel müssen sicher installiert werden und sind mit regulierenbaren Beinchen - zur Ausgleichen der Höhe und der Unebenheiten eingestattet.

Die Geräte müssen in einer sicheren Weise installiert werden. Bei der Installation müssen weiter betreffende Projekt-, Sicherheits-, und Hygienevorschriften respektiert werden.

- EN 06 1008 Feuerschutz der örtlichen Geräte und der Wärmquellen
- EN 33 2000 (33 2000-4-482; 33 2000-4-42) Umgebung für elektrische Geräte
- Gasversorgung -Gasleitungen in Gebäuden - Höchste Verkehrsdruck ≤ 5 BarVerkehrsansprüche,
- § 10 des Gesetzes Nr.185/2001 Sb., der Abfälle betrifft.

GEBRAUCHSANWEISUNG

Achtung!

Bevor Sie beginnen, das Gerät zu verwenden, ist von der gesamten Oberfläche die Schutzfolie vom Edelstahlblech zu entfernen und dieses dann gründlich mit Geschirrspülwasser einschließlich der Wanne zu waschen und danach mit einem in reinem Wasser angefeuchteten Lappen abzureiben. Reiben Sie die Wanne mit einem Geschirrtuch trocken, bestreichen Sie den Boden der Wanne mit Tafelöl und nehmen Sie das Ausbrennen des Bodens bei einer Temperatur von 230 °C vor. Vor dem Kochen sind das Einbraten des Bodens und dessen Einziehen vorzunehmen. Optimal ist es, ca. 3 bis 5 Tage in der Pfanne zu braten und sie erst danach zum Kochen zu benutzen. Sofern die Pfanne chemisch gereinigt wurde, ist es günstig, vor dem Kochen erneut ca. 4 bis 6 Bratzyklen vorzunehmen. Das Gerät darf unter keinen Umständen als Fritteuse oder deren Ersatz verwendet werden!

Vergessen Sie nicht, dass nach Einlagen der Nahrungsmittel sich der Spiegel erhöht.

Achtung

Lassen Sie das Gerät nie im Betrieb ohne Aufsicht. Im Tiegel können verschiedene Speisen zubereiten (z.B. Knödel, Kartoffeln, Suppen, Sosse kochen, und braten). Schalten Sie die Kippbratpfanne 26i teinem, solange der Tiegel leer ist.

Ein- und Ausschalten des Gerätes

Den Regulierungsknopf nach rechts drehen und vorgesehene Temperatur im Umfang 45 -295°C einstellen. Einschalten ist durch orange Warnlicht angezeigt und die Funktion des Heizkörpers ist durch grünes Warnlicht gezeigt. Erlöschen des grünen Warnlichtes bedeutet, dass die vorgesehene Temperatur erreicht wurde.

Das Gerät wird durch Drehen des Schaltknopfes in Position „0“ ausgeschaltet.

Vergessen Sie nicht, dass beim höheren Spiegels das Überlaufen der Nahrungsmittel möglich ist.

Wasserzufuhr

Den Hahn (nach links) öffnen für Wasserzufluss und nach erreichter Menge den Hahn (nach rechts) schliessen. Wasser zuführen nur bei geöffneten Deckel des Tiegels.

27

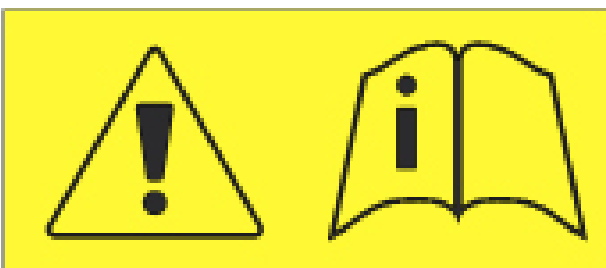
Entleeren des Tiegelinhaltes

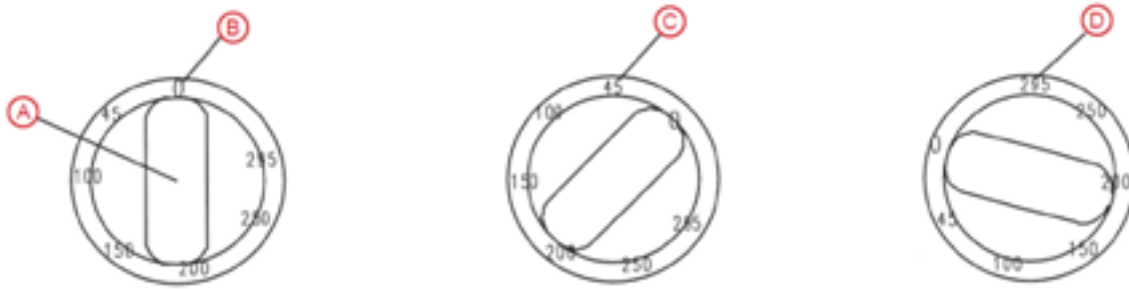
Mittels Betätigungsrades den Tiegel in die Entleerungsposition kippen.

ACHTUNG

Vor Entleeren ein geeignetes, temperaturbeständiges Gefäß mit genügend grossem Umfang unter den Auslauf stellen. Höchste Vorsicht bei Arbeit mit siedendem Inhalt beachten.

In der maximalen Lage wird der Tielgel ganz ausgelassen. Nach Entleeren den Tiegel in die Arbeitsposition zurückstellen. ACHTUNG Jede Betätigung des Tiegles mit ausgeschaltetem Stromnetz durchführen.





- (A) Shaltknopf**
- (B) Ausgeschaltet**
- (C) Minimale Lage**
- (D) Maximale Lage**

KIPPSYSTEM DER WANNE

Beim manuellen Kippen der Wanne gehen Sie folgendermaßen vor:

- 1) Stellen Sie unter die Stelle des Ausflusses ein ausreichend großes, temperaturbeständiges Gefäß.
- 2) Lassen Sie den Inhalt der Wanne nach dem Braten abkühlen.
- 3) Klappen Sie am Bedienungsrad den Betätigungsgriff heraus.
- 4) Beginnen Sie, das Rad nach rechts zu drehen, um die Wanne zu heben, und nach links, um die Wanne zu senken.
- 5) Führen Sie das Heben so flüssig wie möglich aus, damit die Wanne nicht in Schwingungen versetzt wird.

Hinweise:

Gießen Sie Öl niemals bei Frittieretemperatur aus der Wanne aus. Lassen Sie beim Umgang mit der Wanne und ihrem Inhalt maximale Vorsicht walten, einige Bestandteile können auch nach dem Abkühlen des Inhalts heiß sein.

Beachten Sie beim motorbetriebenen Kippen die oben angeführten Hinweise und verwenden Sie diese Taste anstelle des Griffs, wobei der Pfeil nach oben das Kippen und der Pfeil nach unten die Rückkehr der Pfanne in die Grundposition bedeutet:

Achtung!

Niemals heißes Öl ausleeren. Bei der Arbeit mit dem Tiegel ist höchste Vorsicht angebracht. Manche Bestandteile können auch nach Auskühlen des Gehaltes heiss sein.

Beim Motorauskippen oben genannte Hinweise beachten.



REINIGUNG

Achtung!

Die Einrichtung darf nicht durch Wasserstrahl oder Druckwasser gereinigt werden. Das Gerät muss man täglich reinigen, tägliche Reinigung verlängert die Lebensdauer des Gerätes sowie auch seine Wirksamkeit. Vor Reinigung ist das Gerät vom Strom abzuschalten, das Gerät soll auch von der Hauptzuleitung abgechaltet werden. Rostfreie Teile mit Waschlappen reinigen, anschließend mit geeigneten Spülmittel durchspülen und austrocknen. Keine Korrosions- und Abrasionsmittel benutzen.

Die Innenfläche des Tiegels 28i teinem gewöhnlichen Schwamm und handelsüblichen Spülmittel reinigen (keine Metallgegenstände). Eine dunkle schwache Schicht auf dem Tiegelboden nicht abschürfen, die bildet eine Schutzschicht. Nach Reinigung den Tiegelboden mit Öl einstreichen.

Nach Reinigung den Tiegel in die Ursprungslage positionieren mit geöffneten Deckel um eine gute Luftzirkulation zu gewährleisten.

Beim langfristigen Stillstand:

Wasser- und Stromzuleitung abschliessen

Den Tiegel reinigen und den Boden mit Öl konservieren

INSTANDHALTUNG UND GARANTIEBEDINGUNGEN

Bei langfristiger Benutzung ist für ein sicheres Arbeiten eine regelmässige Instandhaltung erforderlich. Wir empfehlen das Abschliessen eines Servicevertrages. Nur autorisierte Techniker können die Instandhaltung durchführen, wie die Vorschriften und Normen aus der Anleitung beinhalten. Empfehlenswert ist eine Kontrolle alle 6 Monate durchzuführen bzw. Bei grosser Belastung alle 3 Monate. Durch preventive Kontrollen kann man eventuellen Mängeln vorbeugen und damit den Nutzeffekt erhöhen.

Achtung!

Die Garantie bezieht sich nicht auf alle Bestandteile, welche einer üblichen Abnutzung unterliegen (Gummidichtungen, Birnen, Glas- und Plastikteile usw.) Die Garantie bezieht sich auch nicht auf das Gerät, wo die Installation nicht im Einklang mit den Anweisungen durchgeführt wurde – von einem autorisierten Servicetechniker laut der entsprechenden Normen und falls mit dem Gerät unfachmännisch manipuliert wurde, oder von nicht geschulten Personen und in Widerspruch zu den Anweisungen bedient wurde, weiter bezieht sich die Garantie nicht auf Beschädigung von Natureinflüssen oder von anderen Aussenangriffen.

Hinweise für Störfall

Sofort die Strom- und Wasserzuleitung abschalten, einen Service anrufen und keinesfalls mit dem Gerät irgendwie manipulieren. Der Hersteller nimmt keine Verantwortung für Verletzungen und Eigentumsschaden, die aufgrund der Nichteinhaltung von Sicherheitsvorschriften oder der Benutzung zum anderen als bestimmten Zweck entstanden sind.

Hinweise für Entsorgung:

Die Verpackung des Gerätes muss im Einklang mit Vorschriften ordnungsgemäss entsorgt werden. Das Gerät muss einer autorisierten Organisation, die mit dem Einsammeln von elektrischen Geräten beauftragt ist, übergeben werden.

DÉCLARATION DE CONFORMITÉ

Le fabricant certifie la conformité des appareils aux normes 2014/30/EU, 2014/35/EU à la loi n° 117/2016 sb., 17/2003 sb. et aux décrets applicables. L'installation doit être effectuée dans le respect des normes en vigueur. Attention: le fabricant décline toute responsabilité en cas de dommages, directs ou indirects, causés par une mauvaise installation, par une utilisation, des interventions ou des modifications impropres, par un entretien insuffisant, ainsi qu'en cas de dommages dérivant des causes mentionnées dans les conditions de vente. L'appareil objet de la présente notice est prévu pour un usage professionnel, aussi son utilisation doit-elle être confiée à un personnel possédant les compétences nécessaires à cet effet. L'utilisateur ne doit procéder à aucune intervention ni à aucune modification sur les parties réglées et protégées par le fabricant ou autre personnel autorisé à cet effet.

CARACTÉRISTIQUES TECHNIQUES

L'étiquette sur laquelle figurent les caractéristiques techniques est apposée sur la partie postérieure de l'appareil. Avant de procéder à l'installation, prendre connaissance du schéma électrique et de toutes les informations que contient la présente notice.

Type de produit	Dimensions (cm)	De Volume(l)	Le pouvoir (kW) / tension	Inclinaison de bain	Materiel de sale de bain en bas
BR 50-78 ET	80x90x90	50	10,5 kW/400V	handbuch	FE
BRM 50-78 ET	80x90x90	50	10,5 kW/400V/230	electric	FE
BR 50-78 ET/N	80x90x90	50	10,5 kW/400V	handbuch	INOX
BRM 50-78 ET/N	80x90x90	50	10,5 kW/400V/230	electric	INOX
BR 80-98 ET	80x90x90	80	15 kW/400V	handbuch	FE
BRM 80-98 ET	80x90x90	80	15 kW/400V/230	electric	FE
BR 80-98 ET/N	80x90x90	80	15 kW/400V	handbuch	INOX
BRM 80-98 ET/N	80x90x90	80	15 kW/400V/230	electric	INOX
BR 120-912 ET	80x90x90	120	18 kW/400V	handbuch	FE
BRM 120-912 ET	80x90x90	120	18 kW/400V/230	electric	FE
BR 120-912 ET/N	80x90x90	120	18 kW/400V	handbuch	INOX
BRM 120-912 ET/N	80x90x90	120	18 kW/400V/230	electric	INOX

CONTROLE DE L'EMBALLAGE ET DE L'APPAREIL

En vue de son transport, l'appareil quitte les établissements du fabricant parfaitement emballé (sur l'emballage sont apposés les étiquettes et les symboles nécessaires à cet effet). L'emballage contient également la notice des instructions d'utilisation. Dans le cas où l'emballage présenterait des dommages ainsi que dans le cas où il s'avérerait qu'il a été manipulé sans les précautions nécessaires, il est impératif d'adresser sans attendre une déclaration au transporteur en y joignant une acceptation de la marchandise sous réserve.

Recommandation importante:

-Le produit est destiné uniquement à un usage intérieur.

N'utilisez jamais cet appareil si le cordon ou la fiche sont endommagés, si l'appareil fait défaut, s'il a été échappé ou endommagé ou immergé. Dans ce cas, retournez cet appareil au centre service autorisé pour examen.

- Pour usage professionnel seulement
- La présente notice des instructions d'utilisation et d'entretien contient d'importantes informations relatives à la sécurité, à l'installation et à l'utilisation; il est nécessaire d'en effectuer attentivement la lecture.
- Les recommandations se réfèrent à l'appareil objet de la présente notice.
- L'appareil est conforme aux normes en vigueur.
- Veiller à bien conserver la notice de telle sorte qu'elle puisse être consultée à tout moment en cas de besoin.
- Ne pas laisser des enfants s'approcher de l'appareil durant son utilisation.
- Pendant la vente ou après le déménagement de l'appareil vérifier que le personnel lise attentivement la présente notice d'utilisation
- L'appareil ne peut être utilisé que par le personnel instruit
- L'appareil ne peut être laissé en marche sans surveillance
- Il est recommandé de faire l'appareil contrôler au moins une fois par an dans un service spécialisé
- Ne pas utiliser que des pièces détachées originelles.
- En cas de défaut ou de mauvaise fonction, débrancher l'appareil (eau, gaz, électricité) et appeler un service spécialisé
- Le fabricant décline toute responsabilité en cas de dommages, directs ou indirects, causés par une mauvaise installation, utilisation, etc

LA LOCATION

Le local dans lequel l'appareil est installé doit être bien ventilé. Si l'appareil doit toucher le parois, celui-ci doit résister à la chaleur de 90°C au minimum. L'installation, le réglage et la mise en marche doivent être effectués par une personne qualifiée ayant une autorisation nécessaire selon les normes en vigueur.

Déballer l'appareil et vérifiez s'il n'était pas endommagé pendant le transport. Placez l'appareil sur une surface horizontale (pente maximale de 2°). Placez l'appareil sous une hotte pour éliminer la vapeur et mauvaise odeur.

L'appareil peut être installé seul ou en série avec d'autres appareils de notre fabrication. Il faut respecter la distance minimale de 10 cm entre l'appareil et d'autres objets ainsi qu'éviter le contact avec les matériaux inflammables. Dans ce cas il faut prévoir les arrangements nécessaires pour assurer la protection des parties inflammables.

INSTRUCTIONS TECHNIQUES POUR INSTALLATION ET REGLEMENT

Important:

Le fabricant ne fournit pas de garantie pour les défauts causés par l'usage, tout manquement impropre aux instructions contenues dans les instructions ci-jointes pour l'utilisation et aux mauvais traitements des appareils.

Installation, réglage et réparation d'appareils pour les cuisines, ainsi que leur élimination en raison de dommages possibles au gaz peut être effectuée qu'en vertu d'un contrat de maintenance, ce contrat peut être signé avec un distributeur agréé, et doivent être conformes à la réglementation technique et normes et réglementations concernant l'installation, l'alimentation, de raccordement de gaz et de la santé et la sécurité du système.

Ces instructions sont destinées au technicien qualifié qui doit effectuer l'installation, le mettre en marche et tester l'appareil.

Toute activité en tant que paramètres, le placement, le rééquilibrage etc, doit être faite que lorsqu'il est périphérique déconnecté de l'électricité. Si il est nécessaire d'avoir le périphérique connecté à l'électricité, vous devez garder la plus grande attention afin d'éviter toute blessure.

LE RACCORDEMENT DE L'EAU

Le raccordement de l'eau est effectué à l'aide d'un tuyau d'arrivée avec filetage G1/2. Le raccordement est réalisé après avoir retiré le panneau avant (image 1). L'arrivée de l'eau doit être équipée d'une fermeture indépendante, librement accessible et à portée de l'installation. Une soupape de retenue fait partie de l'équipement.

- La dureté de l'eau doit se situer entre 0,5 et 5 ° en degrés français.

AU-DESSUS DE CETTE VALEUR, UN ADOUCISSEUR DOIT ÊTRE UTILISÉ.

- La pression de l'eau doit se situer entre 50 et 250kPa.
- La teneur en chlore de l'eau ne doit pas être supérieure à 10ppm, afin de ne pas endommager la surface de la cuve.
- L'acidité de l'eau doit être supérieure à 7 pH.
- Conductivité électrique : 50 – 2000 uS/cm (20°C)
- Le raccordement doit être conforme à la norme EN 1717 et aux règlements nationaux en vigueur pour la gestion des eaux.

BRANCHEMENT ÉLECTRIQUE

Installation de prise de courant – La prise de courant doit avoir un coupe-circuit indépendant en dépendance de puissance fournie de l'appareil. Vérifiez la puissance de l'appareil sur la plaque des caractéristiques techniques.

Branchez l'appareil directement au réseau, il faut mettre un interrupteur entre le réseau et l'appareil, son ouverture de contacts étant 3 mm au minimum. Câble de terre (vert-jaune) ne peut pas être interrompu par cet interrupteur. En tout cas, le câble de prise de courant doit être placé de telle manière que sa température ne dépasse jamais la température du milieu de plus que 50°C. Avant le branchement au réseau, s'assurer que :

- le coupe-circuit et distribution intérieure peuvent endurer la charge de l'appareil (voir la plaque)
- la mise à la terre fonctionne selon les normes en vigueur (EN) et selon la loi
- la prise ou l'interrupteur de circuit sont faciles d'accès

Le fabricant rénonce à toute responsabilité en cas que les normes ne seront pas respectés ainsi qu'en cas de dérogation des règles mentionnés ci-haut.

Avant la première utilisation, il faut retirer le film de protection et nettoyer l'appareil – voir chapitre « nettoyage et entretien ».

Entretien:

Il est recommandé de faire contrôler l'appareil dans un service spécialisé au moins une fois par an. Toutes les interventions peuvent être effectuées seulement par une personne qualifiée ayant une autorisation pour ces interventions.



-N'introduisez pas la fiche du cordon dans la prise de courant et ne débranchez pas l'appareil de la prise électrique si vos mains sont mouillées ou en tirant sur le cordon électrique !

-N'utilisez pas de rallonge ou de multiprise.

MÉSURES DE SÉCURITÉ POUR LA PROTECTION CONTRE INCENDIE SELON EN 06 1008 ARTICLE 21:

- l'appareil ne peut être utilisé que par des personnes majeures
- l'appareil peut être utilisé dans un espace ordinaire selon EN 332000-4-482; 332000-4-42
- l'appareil doit être placé ou suspendu d'une manière stable sur une surface ininflammable

Il est interdit de placer sur l'appareil ou dans la distance inférieure à 10 cm de l'appareil des objets inflammables.

- les distances de sécurité pour les matériaux inflammables selon leurs degré d'inflammabilité et les informations sur l'inflammabilité des matériaux de construction – voir le tableau

Tableau:

degré d'inflammabilité d'un matériel de construction (EN 730823)

A ininflammables	granit, grès, béton, briques, carrelage céramique, enduit
B difficilement inflammables	acumin, héraclite, lihnos, itaver
C1 mal inflammables	bois des arbres feuillus, contre-plaqué, papier durci, umakart
C2 inflammabilité moyenne	aggloméré, solodur, liège, caoutchouc, revêtements
C3 inflammabilité facile	planches de fibre de bois, polystyrène, polyurethane, PVC

L'appareil doit être installé d'une manière sûre. Pour l'ajustage de l'appareil est ce-ci procuré des pieds réglables.

- EN 06 1008 protection contre incendie des consommateurs d'énergie locaux et des émetteurs de chaleur
- EN 33 2000 (33 2000-4-482; 33 2000-4-42) le milieu pour les appareil électriques

MODE D'EMPLOI

Attention !

Avant de commencer à utiliser l'appareil, il est indispensable de retirer de toute la surface les films de protection en tôle inox, puis de bien la laver à l'eau avec détergent pour vaisselle, y compris la cuve, puis de l'essuyer avec un chiffon trempé dans de l'eau propre. Séchez complètement la cuve à l'aide d'un torchon, enduisez le fond de la cuve à l'aide de l'huile de table et préchauffez à vide le fond à une température de 230°C. Avant de cuisiner, il est indispensable de faire chauffer le fond avec de la matière grasse et de l'abreuver. Il s'avère optimal de frire environ trois à cinq jours dans la cuve et de l'utiliser ensuite pour cuisiner. Si le nettoyage de la cuve est effectué à l'aide de produits chimiques, il convient de réaliser à nouveau quatre à six cycles de friture avant de cuisiner. Dans aucun cas, l'appareil ne peut être utilisé comme friteuse ou comme son remplacement !!

Attention !

Ne laissez jamais l'appareil sans surveillance dès qu'il est en marche. N'utilisez l'appareil que sous la surveillance incessante.

Il est possible de préparer les repas différents (par exemple : cuire les pommes de terre, les sauces, les soupes et frire).

N'allumez jamais l'appareil si la baignoire est vide.

44

Allumer et débrancher l'appareil

On tourne le bouton de réglage à droite et on met la température demandée (passant de 45 – 295 °C) sur l'échelle. L'appareil allumé est indiqué par le témoin orange, le témoin vert signale le fonctionnement des calorifères. L'extinction de ce témoin annonce l'acquisition de la température demandée.

On débranche l'appareil par le retournement du bouton à la position „O“.

Avertissement :

Il ne faut pas oublier que dans le cas de niveau monté le débordement de contenu peut arriver donc ne laissez pas l'appareil sans surveillance.

Remplir une baignoire d'eau

Tournez le robinet à gauche pour remplir une baignoire d'eau puis retournez le robinet à droite. Il faut avoir le couvercle de baignoire ouverte pendant le remplissage.

Vidage de baignoire

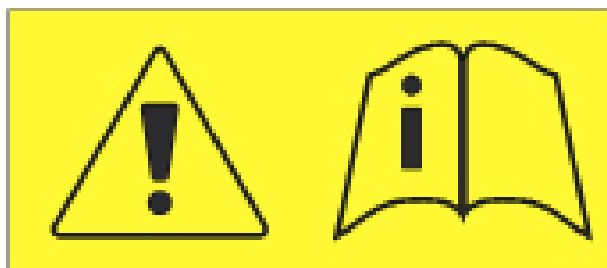
A l'aide de la roue de manipulation versez la poêle à la position nécessaire pour le vidage de la poêle. ATTENTION !

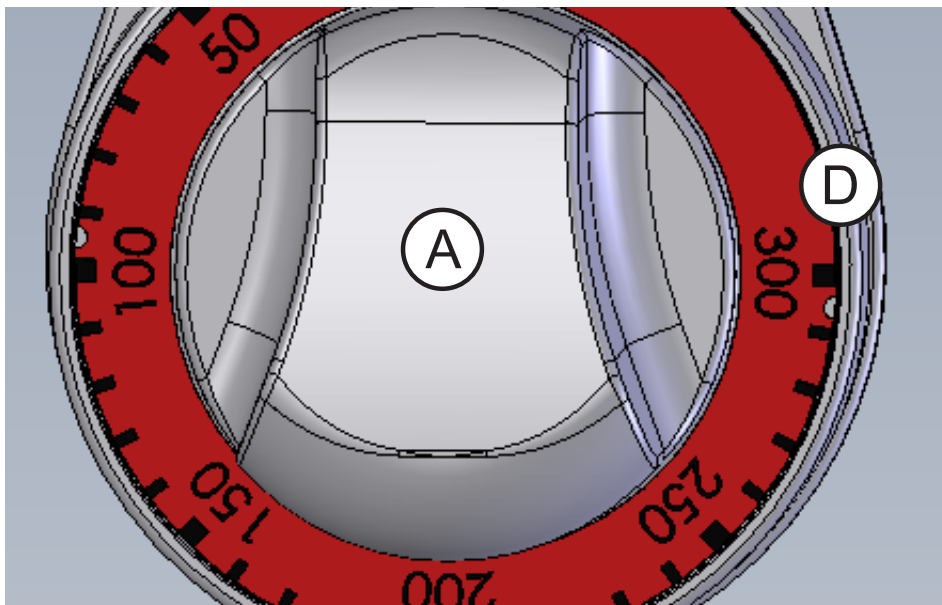
Avant de vider la baignoire mettez un pot convenable sous le déversoir.

Faites attention pendant la manipulation avec le contenu brûlant. A la position maximale de la baignoire celle-ci sera vidée. Puis rentrez la baignoire à la position normale.

ATTENTION !

Il faut manipuler avec la baignoire seulement si le chauffage n'est pas allumé.





LE SYSTÈME DE BASCULEMENT DE LA CUVE

Le basculement manuel de la cuve est effectué comme suit :

- 1) sous le lieu d'écoulement, placez un ustensile suffisamment grand et résistant à la température
- 2) laissez refroidir le contenu de la cuve après la friture
- 3) sur la roue de commande, basculez la poignée de manipulation
- 4) tournez la roue vers la droite pour le soulèvement de la cuve et vers la gauche pour la vidange de la cuve
- 5) le soulèvement doit être effectué sans accroc, afin de ne pas faire vibrer la cuve

Attention :

Ne videz jamais l'huile de la cuve à la température de friture. Soyez très prudent lors de la manipulation de la cuve avec contenu, certaines parties peuvent être chaudes même après le refroidissement du contenu.

Lors du basculement motorisé, respectez les avertissements susmentionnés et utilisez ce bouton au lieu de la poignée. La flèche vers le haut signifie le basculement, la flèche vers le bas signifie le retour de la cuve en position de base.



Nettoyage

ATTENTION ! Il est interdit de nettoyer l'appareil par le jet d'eau ou par la douche à pression. Nettoyez l'appareil tous les jours. Le service régulier prolonge la longévité et l'efficacité de l'appareil. Avant le nettoyage il faut s'assurer que l'appareil est débranché. Il faut toujours débrancher la principale prise de courant. Nettoyez les pièces inoxydables avec un chiffon humide et un détergent puis lavez avec de l'eau et essuyez. N'utilisez pas les détergents abrasifs ou corrosifs. On nettoie l'intérieur de la poêle avec une spatule plastique ou une éponge avec les détergents. Il ne faut pas enlever la couche foncée au fond de la poêle, celle-ci représente la couche protectrice.

Après le nettoyage mettez de nouveau l'huile au fond de la poêle.

A la fin, remettez tout à la position initiale. Laissez le couvercle ouvert pour que l'air puisse circuler à l'intérieur.

- Dans le cas où vous n'utilisez pas l'appareil plus longtemps :
 - Il faut absolument fermer l'arrivée de l'eau et fermer la prise de courant
- Nettoyez la baignoire et mettez l'huile au fond de la poêle Service et conditions de garantie

Le service régulier est nécessaire en raison de l'utilisation sans danger, on vous alors recommande de signer le contrat de service. Le service peut être réalisé que par les techniciens autorisés qui respectent les normes valables et les instructions mentionnées dans le mode d'emploi. La fréquence optimale des contrôles est 1 fois par 6 mois, dans les conditions extrêmes il convient de faire les contrôles 1 fois par 3 mois. Grâce à service régulier on prévient des endommagements graves ce qui économise les frais d'une réparation éventuelle.

Avertissement !!

La garantie ne couvre pas les pièces qui sont à l'usure (joints élastiques, ampoules, pièces de verre et en plastique, etc.). La garantie ne couvre pas l'appareil au cas où celui-ci n'a pas été installé conformément au mode d'emploi – par une personne autorisée selon les normes correspondantes ou au cas où quelqu'un a manipulé avec l'appareil de façon incompétente (interventions dans l'intérieur) ou au cas où quelqu'un a manipulé avec l'appareil contrairement au mode d'emploi. La garantie ne couvre même pas les endommagements faits par les influences naturelles ou une autre intervention externe.

En cas d'une panne :

Il faut débrancher la prise de courant et l'arrivée de l'eau immédiatement, appeler sans délai le service après-vente et surtout de ne pas manipuler avec l'appareil.

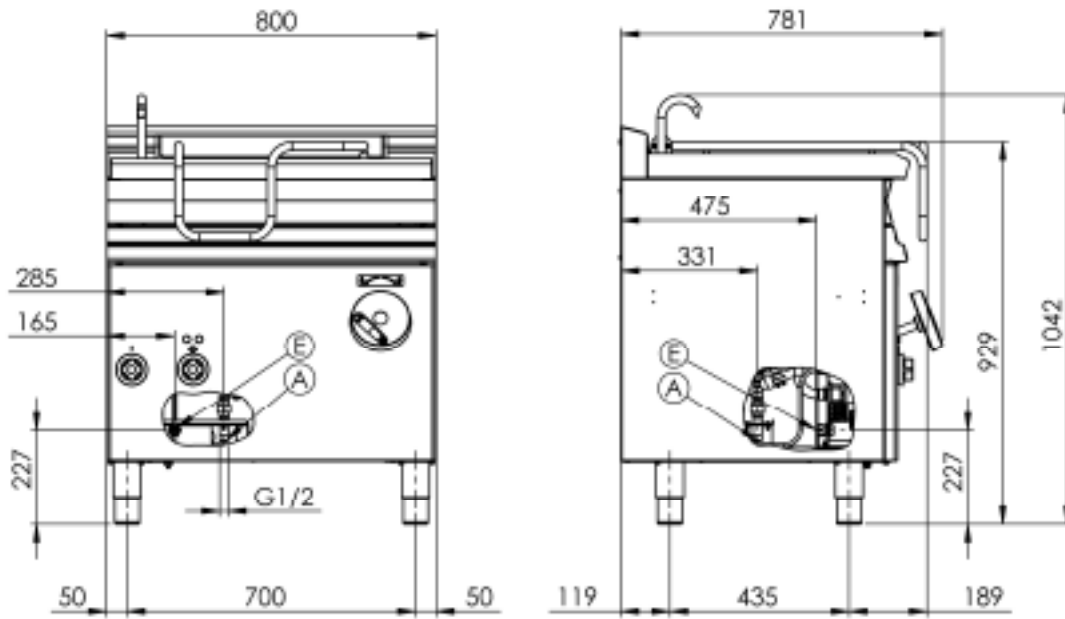
Le producteur n'est pas responsable des blessures ou des dégâts matériels produits en raison d'observation des règles de sécurité ou en raison d'utilisation de l'appareil dans les situations différentes de celles qui ont été recommandées par le producteur

Instructions de liquidation :

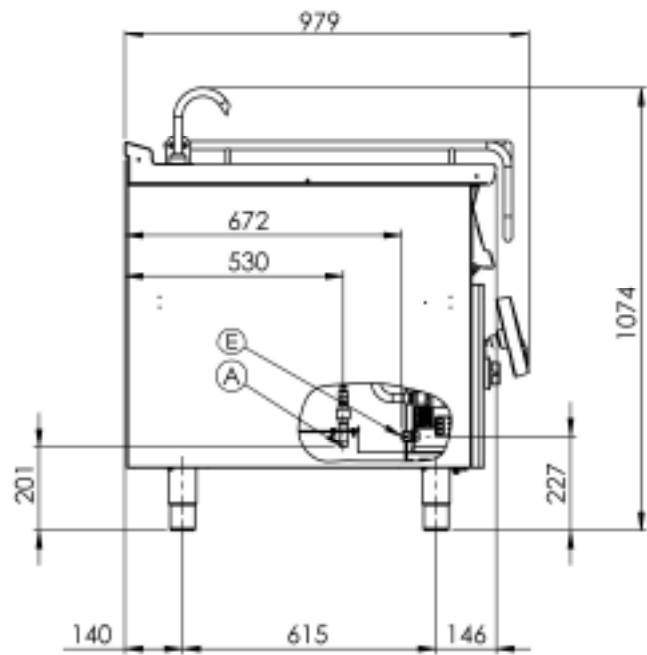
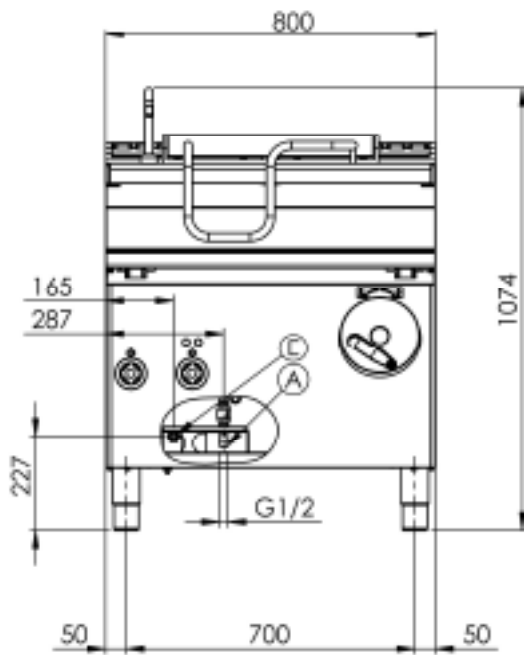
Le matériel d'emballage doit être liquidé conformément aux règles valables.

Même votre appareil ancien doit être liquidé correctement. Remettez l'appareil à l'organisation chargée de prise des appareils électriques et des appareils de gaz après la fin de leur durée de service,

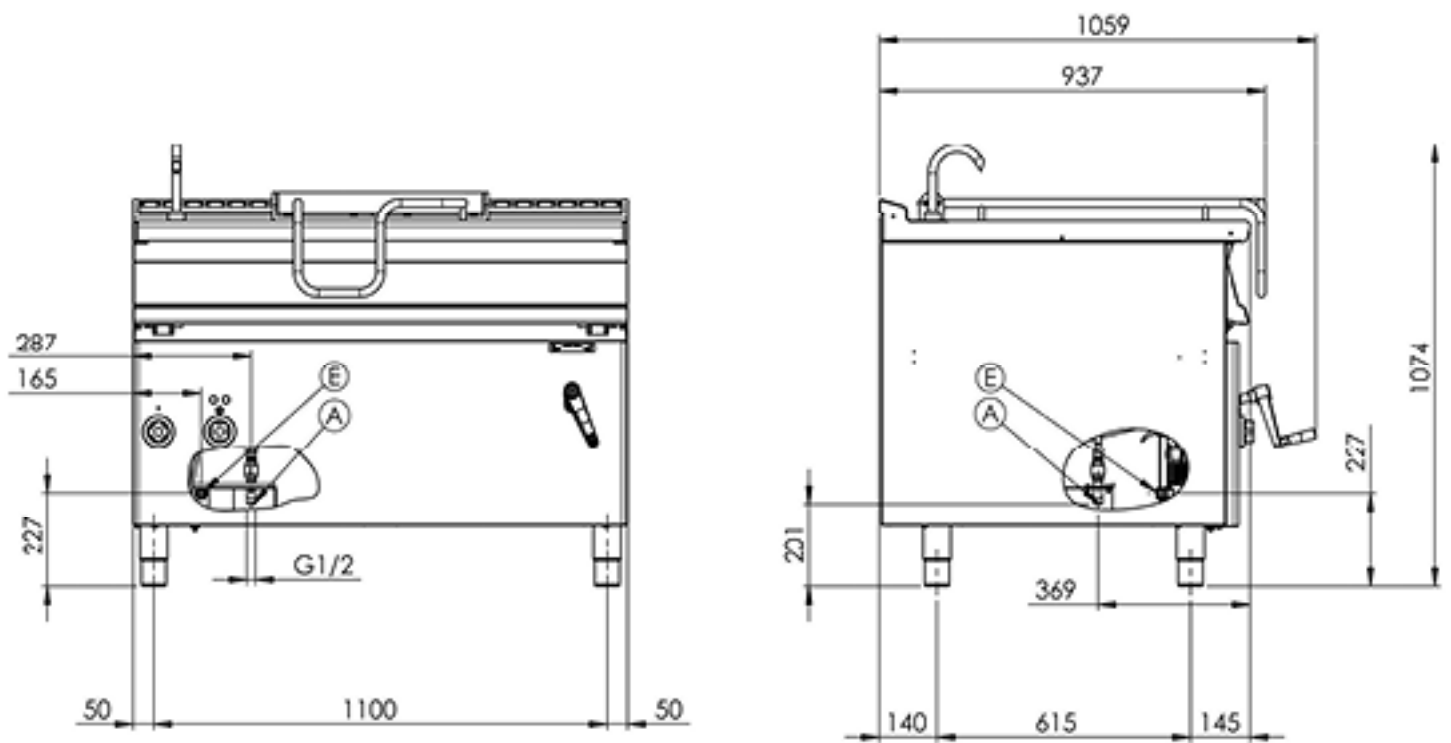
**DIMENSION PLANS / MASSKIZZEN / DIMENSIONS
BR 50-78 ET(N)**



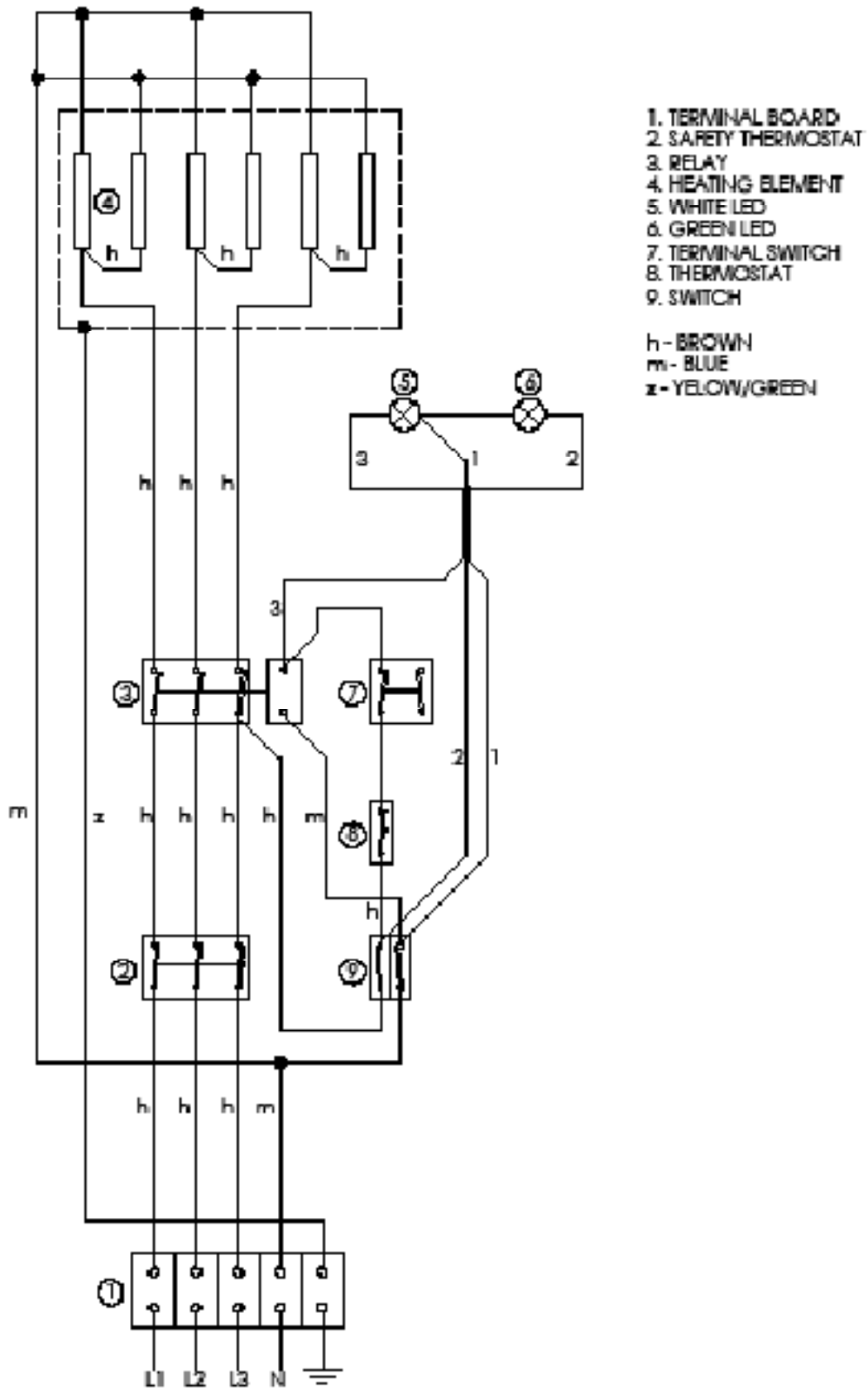
**DIMENSION PLANS / MASSKIZZEN / DIMENSIONS
BR 80-98 ET(/N)**



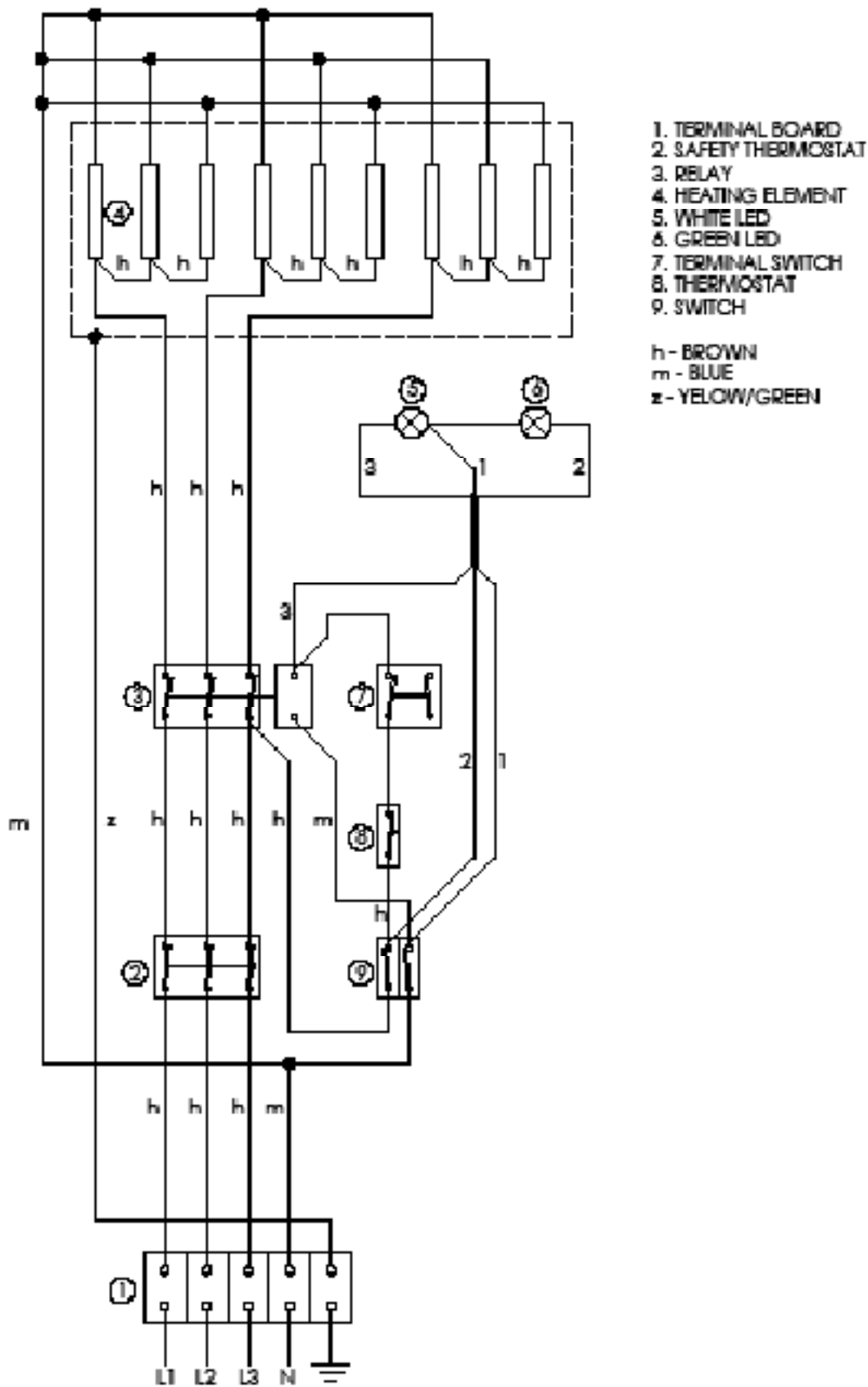
DIMENSION PLANS / MASSKIZZEN / DIMENSIONS
BR 120-912 ET(/N)

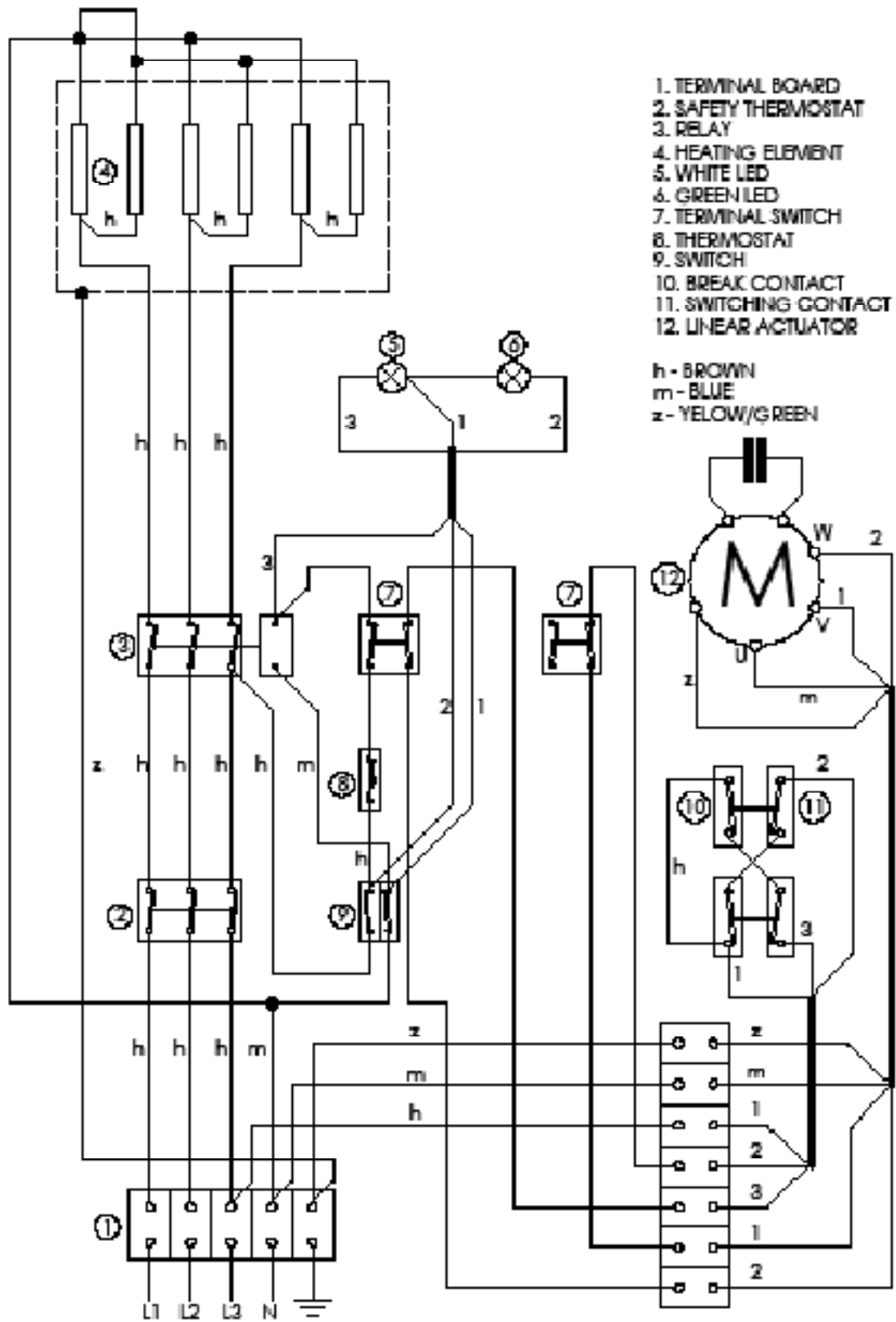


**EL. CONNECTION DIAGRAM / SCHALTPLAN / SCHÉMA DU ELECTRIQUE
BR 50-78/80-98 ET(N)**

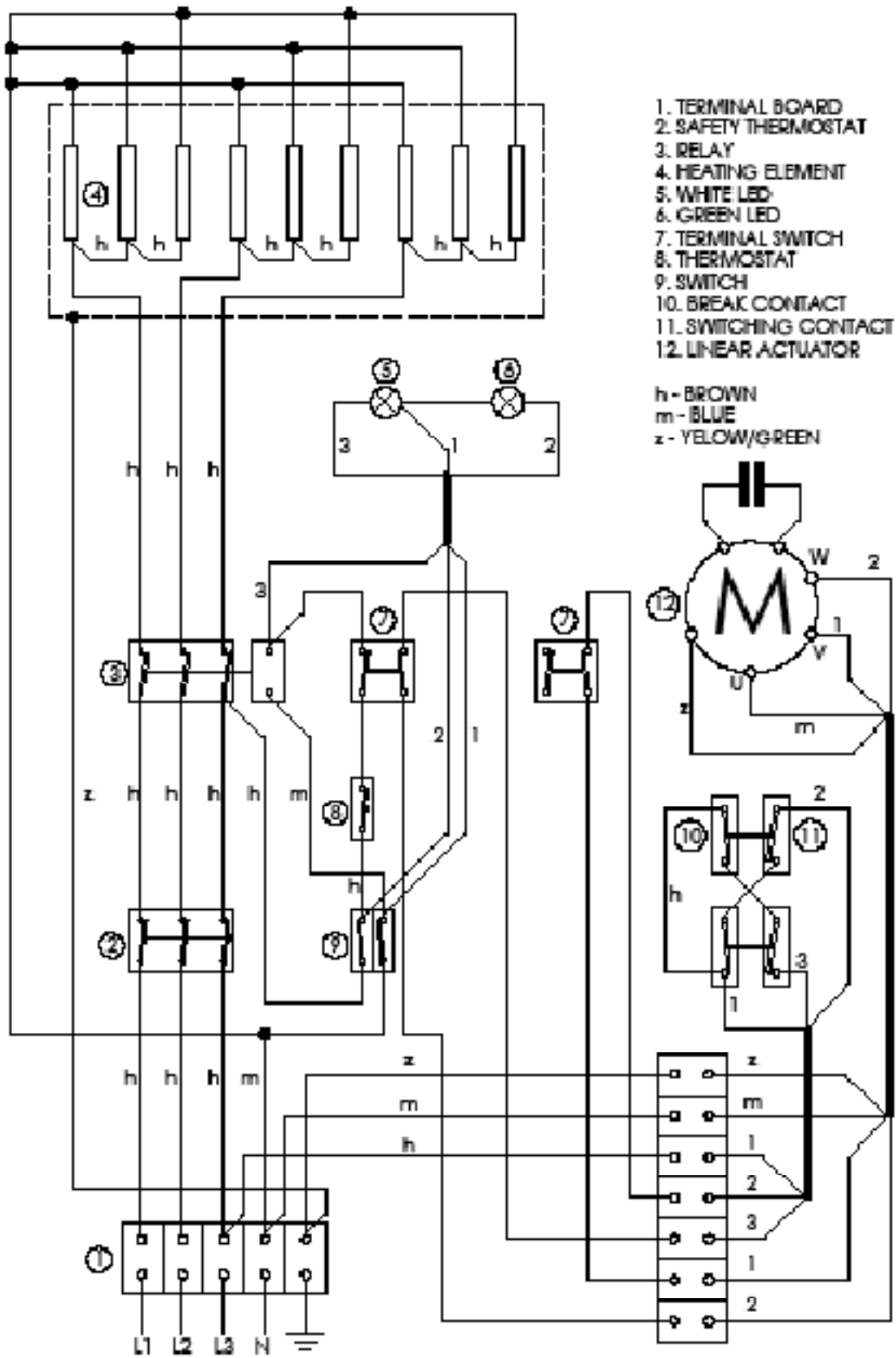


**EL. CONNECTION DIAGRAM / SCHALTPLAN / SCHÉMA DU ELECTRIQUE
BR 120-912 ET(N)**

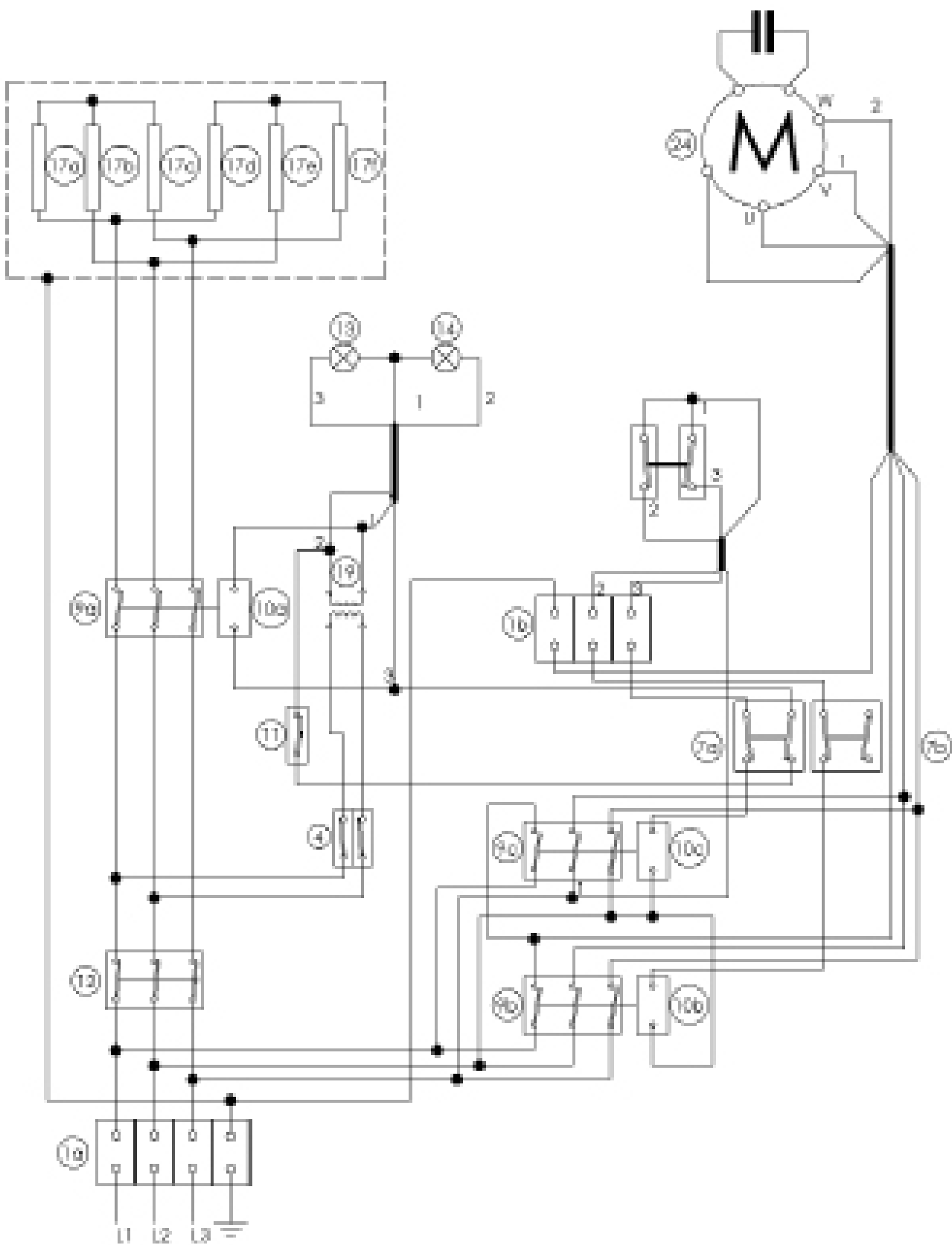




**EL. CONNECTION DIAGRAM / SCHALTPLAN / SCHÉMA DU ELECTRIQUE
BRM 120-912 ET(N)**



**EL. CONNECTION DIAGRAM / SCHALTPLAN / SCHÉMA DU ELECTRIQUE
BRM 80-98 ET(/N)**



PROHLÁŠENÍ O SOULADU S NORMAMI

Výrobce prohlašuje, že přístroje splňují základní požadavky směrnice 2014/30/EU (nařízení vlády č. 117/2016 Sb.) a požadavky směrnice 2014/35/EU (nařízení vlády č. 118/2016 Sb.).

Pozor, výrobce se vzdává jakékoli odpovědnosti v případě přímých i nepřímých poškození, které se vztahují ke špatné instalaci, nesprávným zásahem nebo úpravami, nedostatečnou údržbou, nesprávným používáním, a které jsou eventuálně způsobeny jinými příčinami, jež uvádí body uvedené v podmínkách prodeje. Tento spotřebič je určen pouze pro odborné používání a musí být obsluhován kvalifikovanými osobami. Části, které byly po nastavení zajištěny výrobcem nebo pověřeným pracovníkem, nesmí uživatel přestavovat.

TECHNICKÁ DATA

Štítek s technickými údaji je umístěn na boku či zadním panelu přístroje. Před instalací si prostudujte elektrické schéma zapojení a všechny následující informace.

Typ výrobku	Rozměr	Rozměr vany	Objem vany (l)	Příkon/ Napětí	Přívodní kabel (mm ²)	Zvedání vany	Materiál vany
BR 50-78 ET	80x70x90	72x46,5x20	50	10,5 kW/400V	5x2,5	ruční	FE
BRM 50-78 ET	80x70x90	72x46,5x20	50	10,5 kW/400V/230	5x2,5	motorické	FE
BR 50-78 ET/N	80x70x90	72x46,5x20	50	10,5 kW/400V	5x2,5	ruční	INOX
BRM 50-78 ET/N	80x70x90	72x46,5x20	50	10,5 kW/400V/230	5x2,5	motorické	INOX
BR 80-98 ET	80x90x90	72x46,5x20	80	15 kW/400V	5x2,5	ruční	FE
BRM 80-98 ET	80x90x90	72x46,5x20	80	15 kW/400V/230	5x2,5	motorické	FE
BR 80-98 ET/N	80x90x90	72x46,5x20	80	15 kW/400V	5x2,5	ruční	INOX
BRM 80-98 ET/N	80x90x90	72x46,5x20	80	15 kW/400V/230	5x2,5	motorické	INOX
BR 120-912 ET	120x90x90	72x46,5x20	120	18 kW/400V	5x4	ruční	FE
BRM 120-912 ET	120x90x90	72x46,5x20	120	18 kW/400V/230	5x4	motorické	FE
BR 120-912 ET/N	120x90x90	72x46,5x20	120	18 kW/400V	5x4	ruční	INOX
BRM 120-912 ET/N	120x90x90	72x46,5x20	120	18 kW/400V/230	5x4	motorické	INOX

ZÁKLADNÍ INFORMACE K ELEKTRICKÝM PÁNVÍM

Pánve elektrické jsou konstruovány s ohledem na maximální výkony, odolnost a trvanlivost pro nejtěžší provoz a jednoduchost obsluhy spolu se snadnou údržbou. Pro výrobu jsou používány díly vysoké kvality.

- Nerezové stěny van a masivní teplo vodné dno
- Masivní konstrukce
- Sklápění ruční, motorické
- U sklopných modelů napouštění vody přímo do vany
- Ergonomické tvarování ovládacích prvků
- Optimalizované tvarování povrchu pro snadné čištění
- Jednoduchá obsluha

! V PŘÍPADĚ SMAŽENÍ NESMÍ TEPLOTA OLEJE PŘEKROČIT 230 °C !

KONTROLA OBALU A ZAŘÍZENÍ

Zařízení opouští naše sklady v řádném obalu, na kterém jsou odpovídající symboly a označení. V obalu se nachází odpovídající návod k obsluze. Jestliže by obal měl vykazovat špatné zacházení, známky poškození, musí se okamžitě reklamovat u přepravce a to sepsáním a podepsáním protokolu o škodě. Na pozdější reklamace nebude brán zřetel.

Důležité upozornění

Tento návod musí být řádně a pozorně přečten, protože obsahuje důležité informace o bezpečnostních prvcích, instalaci a použití.

- Výrobek je určen pouze k používání ve vnitřních prostorách.
- Nikdy spotřebič nepoužívejte, pokud má poškozený napájecí přívod nebo vidlici, pokud nepracuje správně, upadl na zem a poškodil se nebo spadl do vody. V takových případech zanechte spotřebič do odborného servisu k prověření jeho bezpečnosti a správné funkce
- Tato doporučení se vztahují na tento výrobek, nebo produktovou linii.
- Tento návod se musí řádně uschovat pro budoucí použití.
- Zabraňte dětem manipulovat s přístrojem.
- Při prodeji nebo přemístění je nutno se přesvědčit, že obsluha nebo odborný servis se seznámil s ovládáním a instalačními pokyny v přiloženém návodu.
- Výrobek smí obsluhovat pouze obsluha, která se seznámila s tímto návodem k použití.
- Nesmí být spuštěn bez dozoru.
- Doporučuje se kontrola odborným servisem minimálně 2x ročně.
- Při eventuální opravě nebo výměně dílů musí být použity originální náhradní díly.
- Výrobek se nesmí čistit proudem vody nebo tlakovou sprchou.
- Při poruše nebo špatném chodu výrobku je nutné odpojit veškeré přívody (voda, elektřina, plyn) a zavolat autorizovaný servis.
- Výrobce se vzdává jakékoli zodpovědnosti při poruchách způsobenými chybnou instalací, nedodržením shora uvedených doporučení, jiným užíváním apod.
- Přístroj se smí používat pouze k účelu, ke kterému je určený, jiné použití je zakázané a může vést ke vzniku nebezpečí či úrazu
- Musí být zajištěno nej přísnější dodržování pravidel protipožární ochrany

UMÍSTĚNÍ

Ke správné činnosti a umístění spotřebiče je nutné dodržet následující směrnice dle norem TPG G 704 01, ČSN 127040 a ČSN 127010.

Rozbalte přístroj a zkontrolujte, zda se přístroj nepoškodil během přepravy. Umístěte přístroj na vodorovnou plochu (maximální nerovnost do 2°). Drobné nerovnosti lze vyrovnat regulovatelnými nožičkami.

Jestliže zařízení bude umístěno tak, že bude v kontaktu se stěnami nábytku, tyto musí odolávat teplotě až 60°C. Instalaci, seřízení, uvedení do provozu musí provést kvalifikovaná osoba, která má k takovýmto úkonům oprávnění a to dle platných norem.

Přístroj může být instalován samostatně nebo v sérii s přístroji naší výroby. Je nutno dodržovat minimální vzdálenost 10 cm od hořlavých materiálů. V tomto případě je nutné zabezpečit odpovídající úpravy, aby byla zabezpečena tepelná izolace hořlavých částí.

Spotřebič se musí instalovat pouze na nehořlavém povrchu nebo u nehořlavé stěny.

INSTALACE

Důležité:

Výrobce neposkytuje žádnou záruku na závady, vzniklé v důsledku nesprávného používání, nedodržování instrukcí obsažených v přiloženém návodu k použití a špatným zacházením se spotřebiči.

Instalaci, úpravy a opravy spotřebičů pro velkokuchyně, tak jako i jejich demontáž z důvodu možného poškození přívodu plynu, mohou být prováděny pouze na základě smlouvy o údržbě, tato smlouva může být uzavřena s autorizovaným prodejcem, přičemž musí být dodržovány technické předpisy a normy a předpisy týkající se instalace, elektrického přívodu, plynové přípojky a bezpečnosti práce.

Technické instrukce pro instalaci a seřízení, k použití POUZE pro specializované techniky.

Instrukce, které následují, se obrací k technikovi kvalifi kovanému pro instalaci, aby provedl všechny operace způsobem co nejkorektnějším a podle platných norem.

Jakákoli činnost spojená s regulací apod. musí být vykonána pouze se zařízením odpojeným ze sítě. Je - li nutno udržovat spotřebič pod napětím je nutno dbát nejvyšší opatrnosti.

Typ spotřebiče pro provedení odtahu je deklarován na typovém štítku, jedná se o spotřebiče typu A1.

BEZPEČNOSTNÍ OPATŘENÍ Z HLEDISKA POŽÁRNÍ OCHRANY PODLE

ČSN 061008 ČL. 21

- obsluhu spotřebiče smí provádět pouze dospělé osoby
- spotřebič smí být bezpečně používán v souladu s normami:
ČSN 33 2000-4-482: Ochrana proti požáru v prostorách se zvláštním rizikem nebo nebezpečím
ČSN 33 2000-4-42: Ochrana před účinky tepla
- spotřebič je nutné umístit tak, aby stál nebo visel pevně na nehořlavém podkladu

Na spotřebič a do vzdálenosti menší než bezpečná vzdálenost od něho nesmějí být kladeny předměty z hořlavých hmot (nejmenší vzdálenost spotřebiče od hořlavých hmot je 10 cm).

Tabulka: stupeň hořlavosti stavební hmoty zařazené do st. hořlavosti (ČSN 730823) hmot a výrobků

Stupeň hořlavosti	Stavební hmoty
A - nehořlavé	žula, pískovec, betony, cihly, keramické obkladačky, omítky
B - nesnadno hořlavé	akumin, heraklit, lihnos, itaver
C1 - těžce hořlavé	dřevo, listnaté, překližky sirkoklit, tvrzený papír, umakart
C2 - středně hořlavé	dřevotřískové desky, solodur, korkové desky, pryž, podlahoviny
C3 - lehce hořlavé	dřevovláknité desky, polystyrén, polyureten, PVC

• informace o stupni hořlavosti běžných stavebních hmot uvádí tabulka níže. Spotřebiče musí být instalovány bezpečným způsobem. Při instalaci musí být dále respektovány příslušné projektové, bezpečnostní a hygienické předpisy dle:

- ČSN 06 1008 požární bezpečnost lokálních spotřebičů a zdrojů tepla
- ČSN 33 2000-4-482 ochrana proti požáru v prostorách se zvláštním rizikem nebo nebezpečím
- ČSN 33 2000-4-42 ochrana před účinky tepla

PŘIPOJENÍ ELEKTRICKÉHO KABELU DO SÍTĚ

Instalace elektrického přívodu - tento přívod musí být samostatně jištěn. A to odpovídajícím jističem jmenovitého proudu v závislosti na příkonu instalovaného přístroje. Příkon přístroje zkontrolujte na výrobním štítku na zadním panelu (či boku) přístroje.

Připojený zemnicí vodič musí být delší než ostatní vodiče. Přístroj připojte přímo na síť, je nezbytné vložit mezi spotřebič a síť vypínač s minimální vzdáleností 3mm mezi jednotlivými kontakty, který odpovídá platným normám a zatížením. Přívod uzemnění (žlutozelený) nesmí tímto spínačem být přerušen. Přístroj určený pro připojení do zásuvky, připojte do sítě pokud má zásuvka odpovídající jištění.

V každém případě přívodní kabel musí být umístěn tak, že v žádném bodě nedosáhne teploty o 50 stupňů vyšší než prostředí. Než bude spotřebič připojen do sítě, je nutné se nejprve ujistit, že:

- přívodní jistič a vnitřní rozvod snesou proudové zatížení spotřebiče (viz štítek matrice)
- rozvod je vybaven účinným uzeměním podle norem (ČSN) a podmínek daných zákonem
- zásuvka nebo vypínač v přívodu jsou dobře přístupné od spotřebiče
- elektrický přívod do zařízení musí být z olejovzdorného materiálu

Vzdáváme se jakékoli zodpovědnosti v případě, že tyto normy nebudou respektovány a v případě porušení výše uvedených zásad.

Před prvním použitím musíte přístroj vyčistit viz. kapitola „čištění a údržba“. Spotřebič musí být uzemněn pomocí šroubu se značkou uzemnění.



- Tato etiketa označuje uzemňovací bod zařízení

- ⚠ Vidlici napájecího přívodu nezasunujte do el. zásuvky a nevytahujte z el. zásuvky mokřými rukama a taháním za napájecí přívod!
- Nepoužívejte prodlužovací kabely nebo sdružené zásuvky.

PŘIPOJENÍ VODY

Připojení vody se provádí pomocí přívodní hadice se závitem G1/2. Připojení se provede po sejmutí předního panelu. Přívod vody musí být osazen samostatným uzávěrem, který je volně přístupný a v dosahu zařízení. Součástí zařízení je zpětný ventil.

- Tvrdost vody musí být v rozsahu 0,5 - 5 ° francouzských stupňů. Nad tuto hodnotu je nutné použít změkčovač.
- Tlak vody musí být v rozsahu 50 - 250kPa.
- Obsah chloru ve vodě nesmí být vyšší než 10ppm, jinak hrozí poškození povrchu vany.
- Kyselost vody musí být nad 7 pH.
- Elektrická vodivost: 50 - 2000uS/cm(20°C)
- Připojení musí být v souladu s EN 1717 a s platnými národními předpisy pro vodní hospodářství.

NÁVOD K POUŽITÍ

Pozor!

Než začnete přístroj používat, je nutné z celého povrchu sejmout ochranné fólie z nerezového plechu, a pak jej dobře omýt vodou se saponátem na nádobí včetně vany, a poté otřít hadrem namočeným v čisté vodě. Vanu vytřete utěrkou do sucha, dno vany potřete stolním olejem a proveďte vypálení dna při teplotě 230°C. Před vařením je nutné provést prvotní zapečení, u ocelo-slitinového dna vany. U ocelovo-slitinového dna musíme dbát, na pravidelnou údržbu po zkončení varného cyklu. Ocelo-slitinové dno vany je primárně určeno pro práci s olejem. Pokud je provedeno čištění pánve chemií je nutné, provést prvotní zapečení pánve. **Přístroj nesmí být za žádných okolností použit jako fritéza nebo její náhrada!!** Zapečení vany se projeví jejím zbarvením, což je naprosto normální jev a ne závada. Pro vaření, doporučujeme dno nerezové.

Nezapomeňte, že po vložení upravovaných potravin stoupne hladina.

Pozor!

Nikdy nenechte přístroj bez dohledu, pokud je v provozu. Používejte přístroj pouze pod neustálým dohledem. V pánvi můžete připravovat různé pokrmy (např. vařit knedlíky, brambory, omáčky, polévky a smažit max. však na 230 °C). Nikdy nezapínejte přístroj, pokud je vana prázdná.

Zapnutí a vypnutí zařízení

Otočíme regulačním knoflíkem vpravo a nastavíme na stupnici požadovanou teplotu v rozsahu 50 - 300 °C. Zapnutí přístroje indikuje oranžová kontrolka a zelená kontrolka signalizuje chod topných těles. Její zhasnutí oznamuje dosažení požadované teploty nastavené na stupnici.

Zařízení vypneme otočením knoflíku do polohy „0“.

Upozornění:

Nezapomínejte že při vyšší hladině může při vaření dojít k překypění obsahu a proto nenechávejte zařízení bez dozoru.

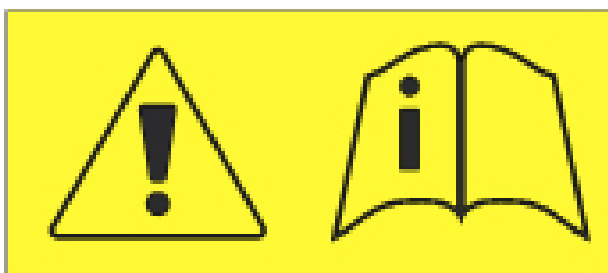
Napouštění vody do vany

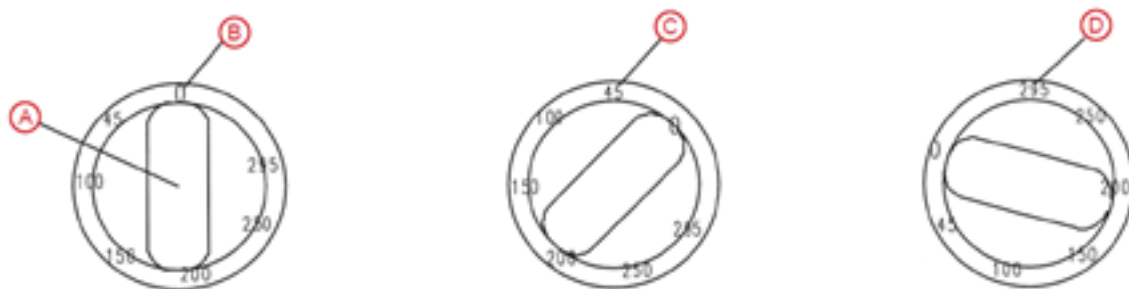
Otevřete kohout (směrem doleva) pro napouštění vany a po napouštění potřebného množství jej opět uzavřete (směrem doprava). Vodu napouštějte pouze při otevřeném víku vany.

Vypouštění náplně vany

Pomocí manipulačního kola vyklopte pánev do potřebné polohy pro její vypuštění. POZOR! Před vypouštěním vany přistavte pod přepad vhodnou nádobu o dostatečném objemu a odolnou zvýšené teplotě. Dbejte maximální opatrnosti při manipulaci s vřelým obsahem. V maximální poloze vany dojde k jejímu plnému vypuštění. Po vylití vany ji opět vraťte do pracovní polohy. POZOR! Veškerou manipulaci s vanou provádějte při vypnutém vyhřívání.

! PŘED PRVNÍM POUŽITÍ PŘÍSTROJE JE NUTNÉ SI PŘEČÍST NÁVOD K POUŽITÍ !





- (A) Regulační knoflík
- (B) Poloha vypnuto
- (C) Poloha minimum
- (D) Poloha maximum

VYKLÁPĚNÍ VANY

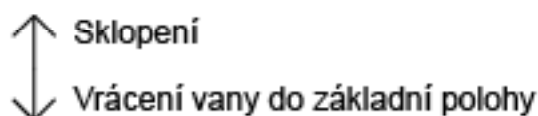
Při manuálním sklápění vany postupujte následovně:

- 1) pod místo výtoku postavte objemově dostatečně velkou nádobu odolnou teplotě
- 2) nechte zchladnout obsah vany po smažení
- 3) na ovládacím kole vyklepte manipulační madlo
- 4) začněte kolem otáčet vpravo pro zdvih vany a vlevo pro spouštění vany
- 5) zdvihání provádějte co nejplynuleji, aby nedošlo k rozkmitání vany

Upozornění:

Nikdy nevylévejte olej z vany při fritovací teplotě. Při manipulaci s vanou a obsahem vany dbejte maximální opatrnosti, některé součásti mohou být horké i po zchladnutí obsahu. Při motorickém sklápění dbejte výše uvedených upozornění.

Při motorickém sklápění vany dbejte výše uvedených upozornění. Elektrické sklápění se provádí pomocí tlačítka sklápění. Sklopení vany provedete šipkou nahoru, vanu vrátíte zpět do základní polohy šipkou dolů.



! DBEJTE ZVÝŠENÉ OPATRNOSTI PŘI SKLÁPĚNÍ VANY, HROZÍ RIZIKO PORANĚNÍ !



ČIŠTENÍ A ÚDRŽBA

POZOR!

Zařízení se nesmí čistit přímou nebo tlakovou vodou. Čistěte zařízení denně. Denní údržba prodlužuje životnost a účinnost zařízení. Před započatím čištění se přesvědčte, jestli jste odpojili zařízení od elektrického proudu. Vždy vypněte hlavní přívod k zařízení. Nerezové části omyjte vlhkým hadrem se saponátem bez hrubých částic, poté vše opláchněte čistou vodou a vytřete do sucha. Nepoužívejte abrazivní nebo korosivní čisticí prostředky.

Vnitřní povrch pánve čistíme plastovou stěrkou, nebo houbičkou s běžnými saponáty (nepoužívat kovové předměty). Sanitaci po skončení varného procesu, musíme provádět vždy, abychom zabránili korozi. Pánve musíte zahřát na 80 °C po dobu 10 minut, aby jste dno pánve řádně zbavily vlhkosti. Po vysušení dno pánve opět ošetřete stolním olejem.

Tmavou slabší vrstvu na dně pánve zbytečně neodstraňujeme, tvoří ochrannou vrstvu povrchu. Po vyčištění vany vraťte vše do původní polohy. Víko nechte otevřené, aby mohl vzduch v nádobě cirkulovat

- Při dlouhodobé odstávce:
- Bezpodmínečně uzavřete přívod vody a odpojte od el. proudu
- Při dlouhodobé odstávce vyčistěte vanu a zakonzervujte dno olejem

Jak postupovat v případě poruchy?

Vypněte elektrický a plynový přívod a zavolejte servisní organizaci prodejce.

UPOZORNĚNÍ

Záruka se navztahuje na všechny spotřební díly podléhající běžnému opotřebení (gumová těsnění, žárovky, skleněné a plastové díly atd.). Záruka se též nevztahuje na zařízení pokud není provedena instalace v souladu s návodem – oprávněným pracovníkem dle odpovídajících norem a pokud bylo se zařízením neodborně manipulováno (zásahy do vnitřního zařízení atd.) nebo bylo obsluhováno nezaškoleným personálem a v rozporu s návodem k použití, dále se záruka nevztahuje na poškození přírodními vlivy či jiným vnějším zásahem.

Je nutné provádět řádné kontroly zařízení v intervalu 6 měsíců. Tyto kontroly smí provádět pouze autorizovaný servis. V případě porušení této skutečnosti se výrobce vzdává jakékoli odpovědnosti za škody způsobené na majetku či zdraví osob.

Přepravní obaly a zařízení po ukončení životnosti odevzdejte do sběru, dle předpisů o nakládání s odpadem a nebezpečným odpadem.

OŚWIADCZENIE ZGODNOŚCI Z NORMAMI

Producent oświadcza, że urządzenia są wykonane według polskich norm i przepisów Unii Europejskiej. Montaż musi być przeprowadzony zgodnie z obowiązującymi normami, zwłaszcza w kwestii odpowiedniego wietrzenia pomieszczeń i systemu odprowadzenia spalin.

Uwaga!

Producent nie odpowiada za szkody wynikłe pośrednio lub bezpośrednio przez: złą instalację, niewłaściwą obsługę lub przeróbki, niedostateczną konserwację lub inne przyczyny niezgodne z punktami warunków sprzedaży. Urządzenie to przeznaczone jest do profesjonalnego użytkowania i musi być obsługiwane osobami o odpowiedniej kwalifikacji. Części, które były po nastawieniu zabezpieczone przez producenta lub pracownika serwisu nie mogą być zmieniane.

DANE TECHNICZNE

Tabliczka znamionowa znajduje się na tylnej części obudowy urządzenia. Przed instalacją zaleca się zapoznanie z instrukcją obsługi i wszystkimi niżej umieszczonymi informacjami.

Model	Wymiary (cm)	Wymiary wanny (cm)	Objętość wanny (l)	Moc/Napięcie (kW/V)	Przewód elektryczny (mm ²)	odchylenia wanny	Materiał wanny
BR 50-78 ET	80x70x90	72x46,5x20	50	10,5 kW/400V	5x2,5	manual	FE
BRM 50-78 ET	80x70x90	72x46,5x20	50	10,5 kW/400V/230	5x2,5	motor	FE
BR 50-78 ET/N	80x70x90	72x46,5x20	50	10,5 kW/400V	5x2,5	manual	INOX
BRM 50-78 ET/N	80x70x90	72x46,5x20	50	10,5 kW/400V/230	5x2,5	motor	INOX
BR 80-98 ET	80x90x90	72x46,5x20	80	15 kW/400V	5x2,5	manual	FE
BRM 80-98 ET	80x90x90	72x46,5x20	80	15 kW/400V/230	5x2,5	motor	FE
BR 80-98 ET/N	80x90x90	72x46,5x20	80	15 kW/400V	5x2,5	manual	INOX
BRM 80-98 ET/N	80x90x90	72x46,5x20	80	15 kW/400V/230	5x2,5	motor	INOX
BR 120-912 ET	120x90x90	72x46,5x20	120	18 kW/400V	5x4	manual	FE
BRM 120-912 ET	120x90x90	72x46,5x20	120	18 kW/400V/230	5x4	motor	FE
BR 120-912 ET/N	120x90x90	72x46,5x20	120	18 kW/400V	5x4	manual	INOX
BRM 120-912 ET/N	120x90x90	72x46,5x20	120	18 kW/400V/230	5x4	motor	INOX

KONTROLA OPAKOWANIA I URZĄDZENIA

Urządzenie opuszcza zakłady odpowiednio zapakowane, właściwie oznakowane ietykietowane. Posiada również instrukcję obsługi. W przypadku, kiedy opakowanie nosioznaki niewłaściwego traktowania lub uszkodzenia, należy bezzwłocznie zgłosić ten fakt na piśmie u przewoźnika i podpisać protokół szkody.

Ważne

Niniejsza instrukcja powinna być przeczytana z uwagą, ponieważ zawiera ważne informacje bezpieczeństwa, montażu oraz obsługi.

-Produkt nie jest przeznaczony na zewnątrz - tylko do użytku w pomieszczeniach.

-Nigdy nie używaj urządzenia, jeśli przewód zasilający lub wtyczka zostały uszkodzone; jeśli nie działa prawidłowo, spadł na ziemię i został uszkodzony, lub wpadł do wody.

W takich przypadkach należy wezwać autoryzowany serwis lub dostarczyć urządzenie do serwisu, aby było możliwe sprawdzenie bezpieczeństwa i poprawności działania.

· należy uważnie zapoznać się z niniejszą instrukcją obsługi, ponieważ zawiera ona ważne informacje dotyczące elementów bezpieczeństwa, montażu i użytkowania

· podane zalecenia odnoszą się do opisanego produktu

· niniejszy produkt jest zgodny z obowiązującymi normami

· instrukcję należy zachować do przyszłego użytku

· produkt powinien znajdować się poza zasięgiem dzieci

· w razie sprzedaży lub przeniesienia produktu w inne miejsce, należy upewnić się, że personel obsługi oraz serwisanci zapoznali się z zaleceniami dotyczącymi obsługi i instalacji podanymi w załączonej instrukcji

UMIEJSCOWIENIE

Do regulacji i instalacji urządzenia jest konieczne, by pomieszczenie - kuchnia - było odpowiednio wietrzane (wg istniejących norm). Jeżeli urządzenie będzie umieszczone tak, że będzie stykać się ze ścianą pomieszczenia (kuchni), musi być ściana odporna na temperaturę powyżej 60°C.

Ważne jest by po odpakowaniu urządzenia, skontrolować czy urządzenie nie zostało uszkodzone w czasie transportu. Urządzenie umieścić na poziomej powierzchni (z max nierównościami do 2°). Drobne nierówności można wyrównać za pomocą nóżek.

Urządzenie może być instalowane oddzielnie lub w serii z innymi urządzeniami naszej produkcji. Jest ważne utrzymać odległość 10 cm od materiałów łatwopalnych. W takim przypadku ważne jest dodatkowe zabezpieczenie materiałami izolującymi.

INFORMACJA O INSTALACJI

Ważne

Producent nie odpowiada za usterki, które powstały na skutek nieodpowiedniej eksploatacji urządzenia wbrew instrukcji obsługi.

Poniższe instrukcje przeznaczone są dla wykwalif kowanego pracownika autoryzowanego serwisu, aby przeprowadził instalację w poprawny sposób, zgodnie z obowiązującymi normami.

Jakakolwiek regulacja powinna być przeprowadzona przy urządzeniu odłączonym od sieci. Jeśli jednak zaistnieje konieczność regulacji w trakcie pracy urządzenia, należy zachować szczególną ostrożność.

INSTALACJA

Instalacja, naprawy i ustawienia urządzeń do kuchni profesjonalnych i demontaż mogą być przeprowadzane tylko na podstawie umowy o utrzymaniu. Taka umowa może być podpisana ze sprzedawcą urządzenia. Muszą być zachowane wszystkie normy i przepisy dotyczące instalacji i bezpieczeństwa pracy.

Wentylacja pomieszczenia musi być odpowiednio zaprojektowana, wg. istniejących przepisów i norm. Urządzenie może być zainstalowane samodzielnie lub w serii z innymi naszymi urządzeniami. Od ewentualnej ściany z łatwopalnego materiału musi być dotrzymany odstęp ponad 10cm.

PODŁĄCZENIE PRZEWODU ELEKTRYCZNEGO DO SIECI

Przewód elektryczny powinien posiadać oddzielny bezpiecznik, odpowiadający mocy instalowanego pieca. Moc urządzenia należy skontrolować na tabliczce znamionowej umieszczonej na bocznej ścianie urządzenia.

Przewód uziemiający musi być dłuższy od pozostałych przewodów. Urządzenie należy podłączyć bezpośrednio do sieci. Między urządzeniem a siecią należy zamontować wyłącznik zabezpieczający zgodny z normami. Przewód uziemiający (żółto-zielony) nie może być podłączony do tego wyłącznika.

Przewód elektr. powinien być umieszczony tak, aby w żadnym punkcie nie osiągnął temp. o 50° wyższej od otoczenia. Przed podłączeniem do sieci należy sprawdzić czy:

- bezpiecznik wewn. oraz instalacja są odpowiednie do obciążenia urządz.(patrz tabl. znam.)
- instalacja posiada uziemienie zgodne z normami
- wył. zabezp. jest łatwo dostępny

Producent nie ponosi odpowiedzialności w przypadku nie zachowania odpowiednich norm lub naruszenia w / w zasad.

Przed użyciem, urządzenie należy wyczyścić (patrz rozdz. czyszczenie i konserwacja). Urządzenie musi być uziemione za pomocą śruby z oznaczeniem uziemienia.



- Nie wkładaj wtyczki zasilania do źródła zasilania. szuflady i nie wyciągaj z el. gniazda z mokrymi rękami i ciągnąc za zasilaczem!

- Nie używaj przedłużaczy ani gniazd.

PRZYŁĄCZE WODY

Przyłącze wody przeprowadzić za pomocą opancerzonego węża ciśnieniowego. Wypust powinien być zakończony zaworem.

Odpad musi być umieszczony poniżej spustu z wanny i musi być podłączony do odpływu poprzez syfon.

Srednica do podłączenia wody 3/4" a srednica wea odpadu to 20 mm.

Właściwości doprowadzanej wody:

- Twardość wody musi się mieścić w zakresie 0,5 - 5 ° francuskich stopni. Jeśli twardość będzie większa należy zastosować zmiękczacze wody.
- Ciśnienie wody musi się mieścić w zakresie 50 - 250 kPa.
- Zawartość chloru w wodzie nie może być wyższa niż 10 ppm, w przeciwnym wypadku może dojść do uszkodzenia wanny.
- Odczyn wody musi być wyższy niż 7 pH.
- Przewodność elektryczna : 50 - 2000 uS/cm(20°C)

INSTRUKCJA OBSŁUGI

Podczas smażenia temperatura oleju nie powinna przekroczyć 230 °C!

UWAGA! Przed użyciem urządzenia, niezbędne jest ściągnąć wszelkie folie zabezpieczające, umyć wilgotną szmatką z płynem do mycia naczyń a następnie zwilżoną tylko czystą wodą. Wytrzeć do sucha i nałożyć na dno wanny warstwę oleju kuchennego. Po takim przygotowaniu należy przystąpić do przepalania dna (konieczne tylko przy nowych urządzeniach). Przepalanie przeprowadzić w temperaturze 230 stopni C. Przed użyciem nowej patelni do gotowania, zaleca się przez ok 3-4 dni używanie jej wyłącznie do smażenia. Po chemicznym czyszczeniu należy wykonać 4-6 cykli smażenia zanim użyje się patelni do gotowania.

Nigdy nie uruchamiaj urządzenia gdy jest puste lub nie ma w nim dostatecznej ilości wody lub oleju. Urządzenie w żadnym wypadku nie powinno być używane jako frytownica lub w jej zastępstwie!

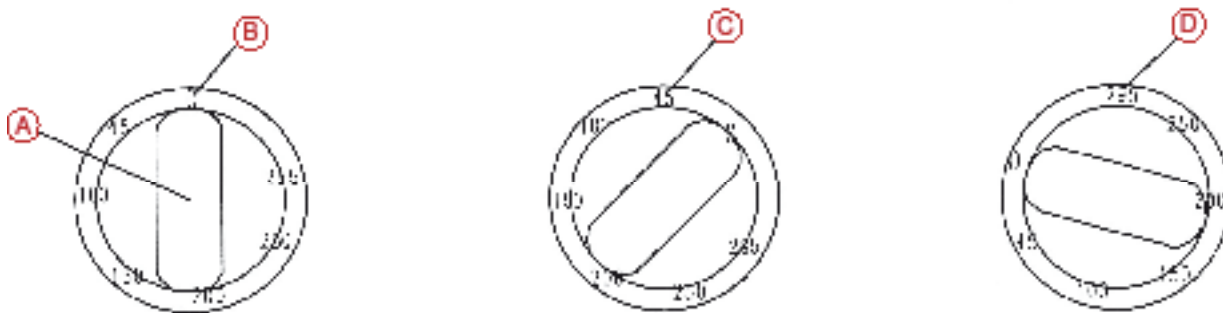
Zawsze po gotowaniu lub myciu patelni należy nałożyć warstwę oleju kuchennego!

Nie zapominaj, że po wożeniu potraw poziom wody/oleju w wannie wzrośnie!

Po zakończeniu używania urządzenia nie zaleca się pozostawiania go z całkowicie zamkniętą pokrywą (zła wentylacja powietrza).

Włączenie urządzenia

Pokrętko regulacji (A) przekręć w prawo na wybraną pozycję temperatury w zakresie 45 - 295 °C. Włączenie urządzenie sygnalizuje pomarańczowa kontrolka (C). Nagrzewanie grzałek sygnalizuje zielona kontrolka (B), która gaśnie gdy urządzenie osiągnie ustawioną temperaturę.



- (A)** Pokrętko regulacji
- (B)** Pozycja „wyłączone”
- (C)** Pozycja „minimum”
- (D)** Pozycja „maksimum”

! W przypadku smażenia temperatura oleju nie może przekroczyć 230 °C !



! PRZED PIERWSZYM URUCHOMIENIEM URZĄDZENIA NALEŻY PRZECZYTAĆ INSTRUKCJĘ OBSŁUGI !

Napełnianie wanny

Przekręcając zawór w lewo napełnić wannę do żądanego poziomu a następnie zakręcić zawór przekręcając go w prawo. Wodę napuszczать tylko przy otwartej pokrywie wanny.

Opróżnienie wanny

Nie przystępować do opróżniania wanny gdy jej zawartość jest gorąca lub gdy urządzenie jest podłączone do sieci elektrycznej. Należy zaopatrzyć się w odpowiedni pojemnik do spuszczonej wody - musi być tak skonstruowany by wlewana do niego woda nie rozpryskiwała się, stanowiąc tym samym zagrożenie, i wykonany z materiału odpornego na wysokie temperatury, musi mieć też odpowiednią pojemność.

Przy pomocy mechanizmu dźwigniowego (korby) przechylić patelnię do pozycji odpowiedniej do jej opróżnienia. Przy maksymalnym wychyleniu wanny możliwe jest całkowite jej opróżnienie. Po zakończeniu czynności przywrócić wannę do poziomego położenia.

↑ złożeniu

↓ Wracając do podstawowych pozycji wanny

PODCZAS ODCHYLANIA WANNY NALEŻY ZACHOWAĆ SZCZEGÓLNĄ OSTROŻNOŚĆ, ZE WZGLĘDU NA RYZYKO POPARZENIA!



Należy utrzymywać urządzenie w czystości. Przed czyszczeniem odłączyć dopływ prądu elektrycznego. Myć wilgotną szmatką najpierw z płynem do mycia naczyń a potem zwilżoną tylko czystą wodą. Po umyciu wytrzeć do sucha i zakonserwować odpowiednim środkiem - można użyć oleju jadalnego. Zalecane jest codzienne czyszczenie urządzenia.

- Nie używać środków czyszczących z drobinami ciernymi
- Nie używać wody pod ciśnieniem
- Nie czyścić urządzenia gdy jest ono gorące
- W przypadku ciężkich zabrudzeń dopuszczalne jest użycie gąbki z utwardzoną powierzchnią

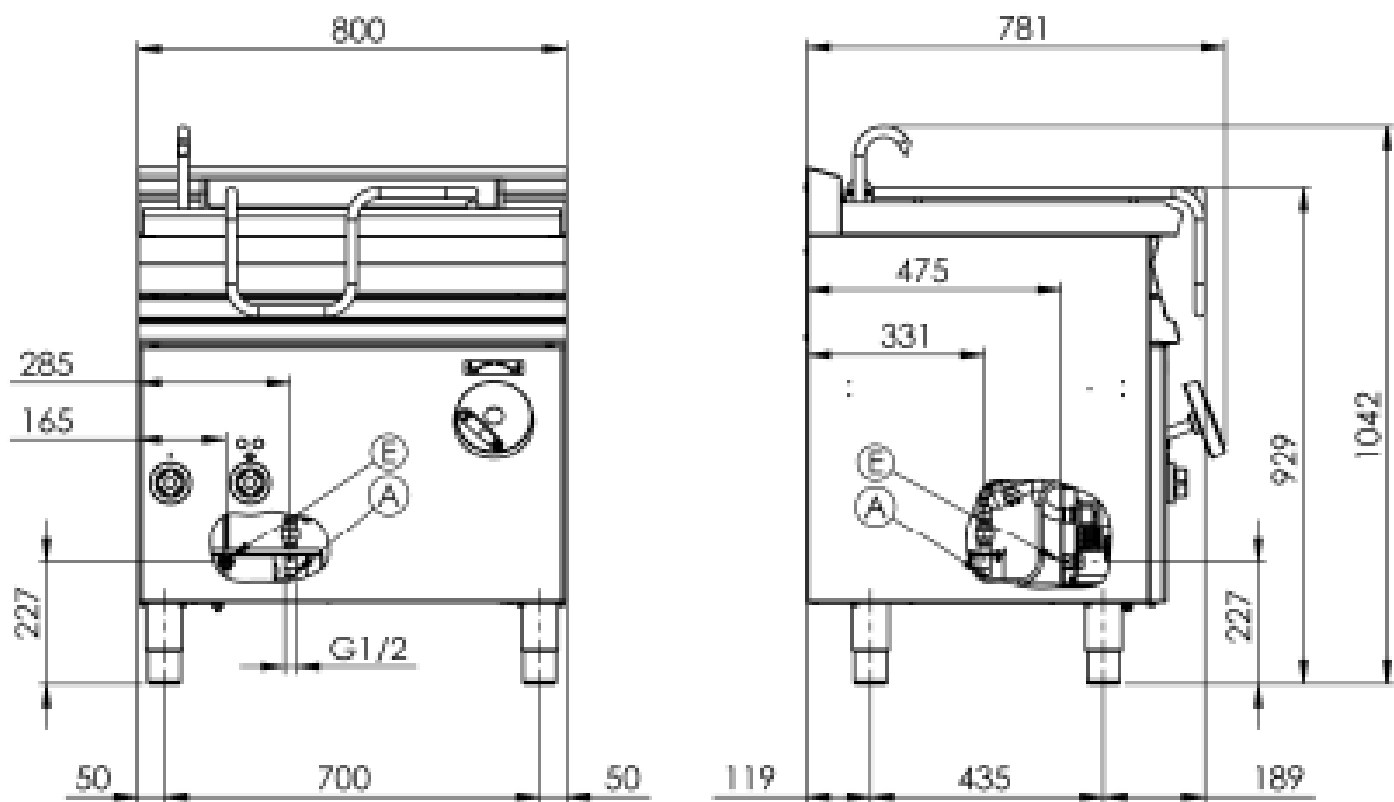
W przypadku dłuższej przerwy w eksploatacji urządzenia należy patelnię zakonserwować olejem ją uchylić pokrywą w celu lepszej wentylacji i odłączyć od źródła zasilania.

Zalecane jest podpisanie umowy z serwisem. Prawidłowa opieka techniczna nad urządzeniami m. zapewniona tylko przez uprawnionych serwisantów, którzy zapewniają zachowanie obowiązujących przepisów. Optymalna częstotliwość przeglądów technicznych to 1x na 6 miesięcy, a przy wyjątkowym obciążeniu urządzenia 1x na 3 miesiące. Dzięki takim przeglądom można uniknąć poważniejszych uszkodzeń a przez to obniżyć koszt eksploatacji urządzenia.

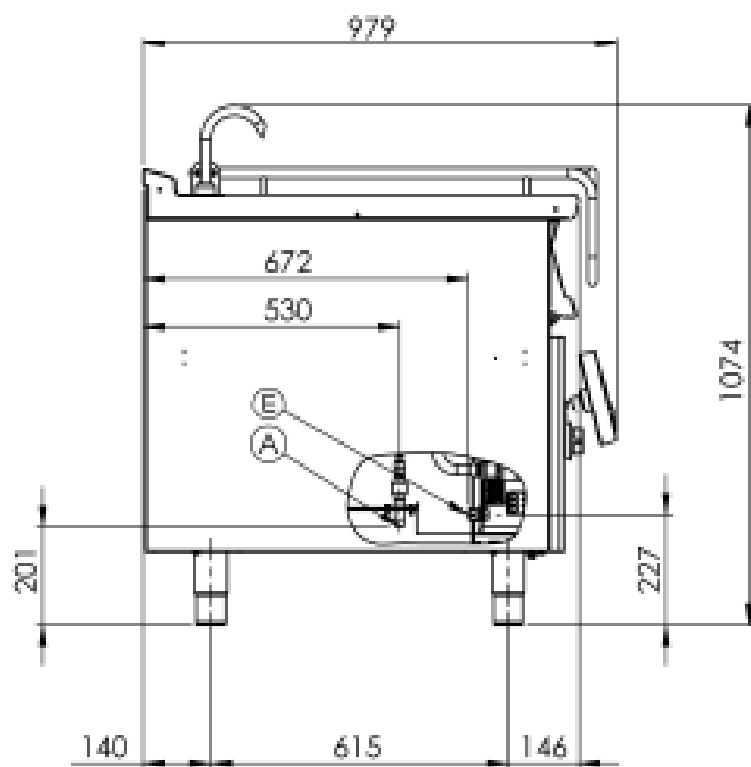
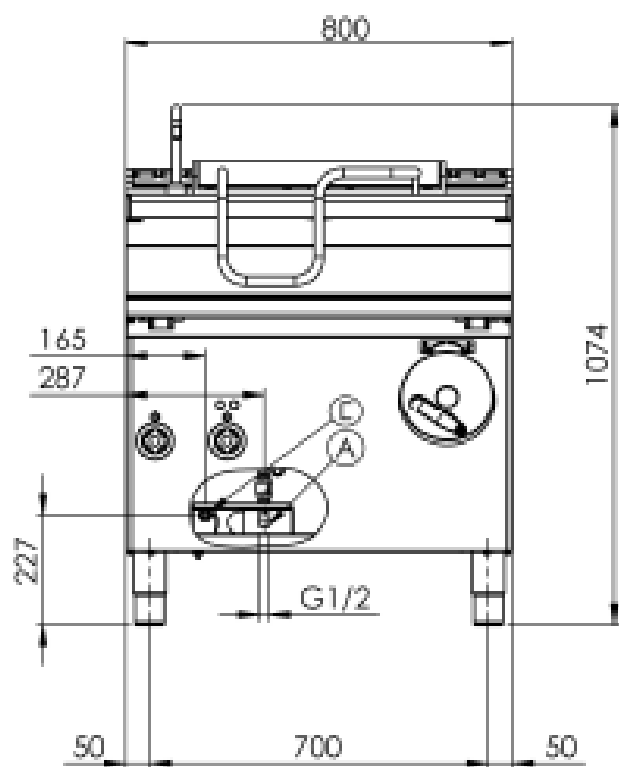
Postępowanie w przypadku awarii

Odłączyć urządzenie wezwać firmę serwisującą.

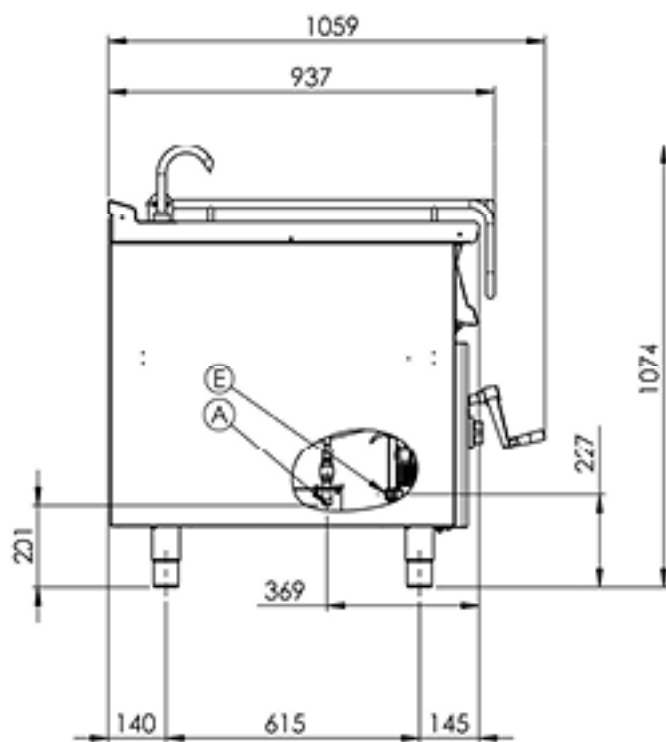
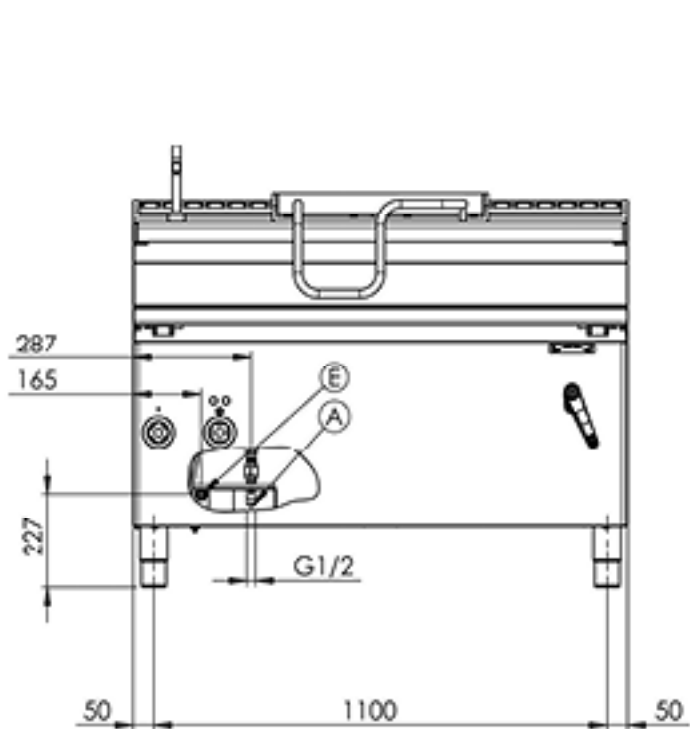
ROZMĚROVÝ NÁČRTEK S PŘÍPOJNÝMI BODY BR 50-78 ET



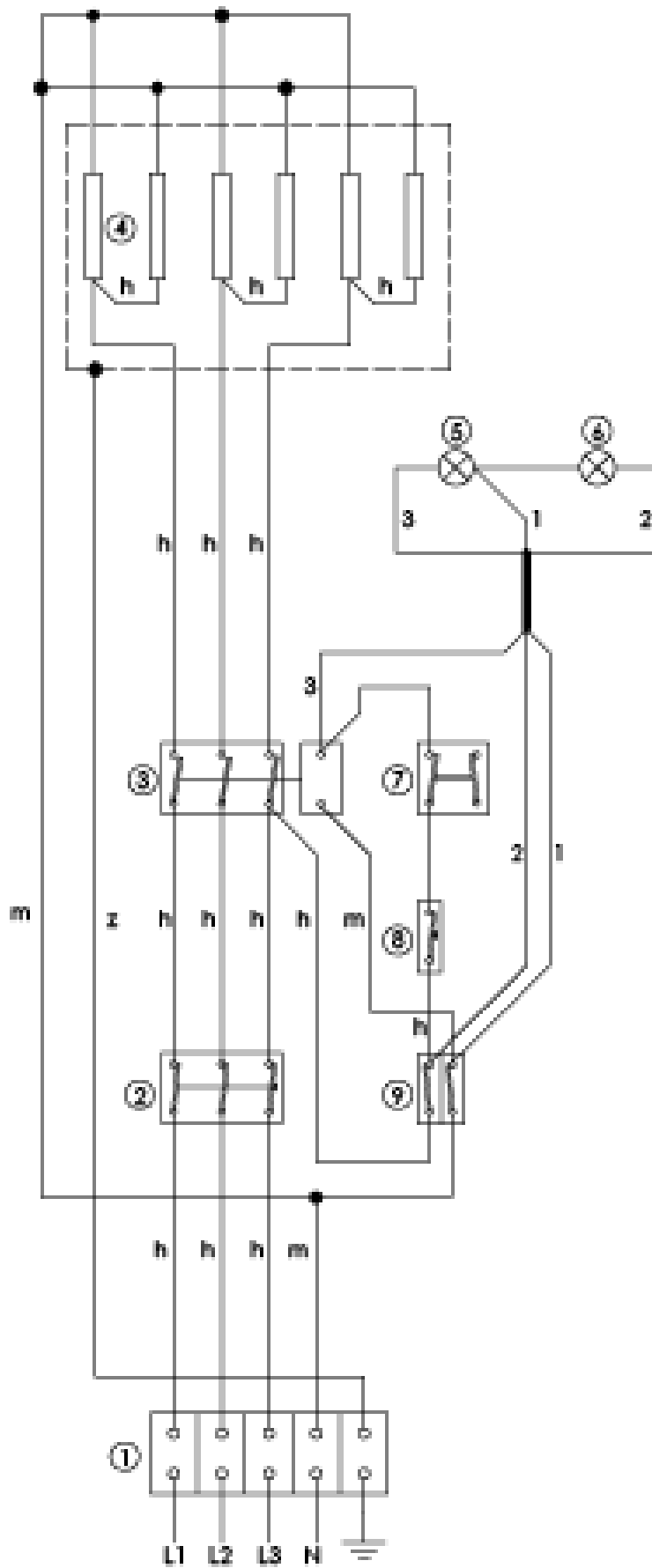
ROZMĚROVÝ NÁČRTEK S PŘÍPOJNÝMI BODY BR 80-98 ET RYSUNEK WYMIAROWY



ROZMĚROVÝ NÁČRTEK S PŘÍPOJNÝMI BODY BR 120-912 ET

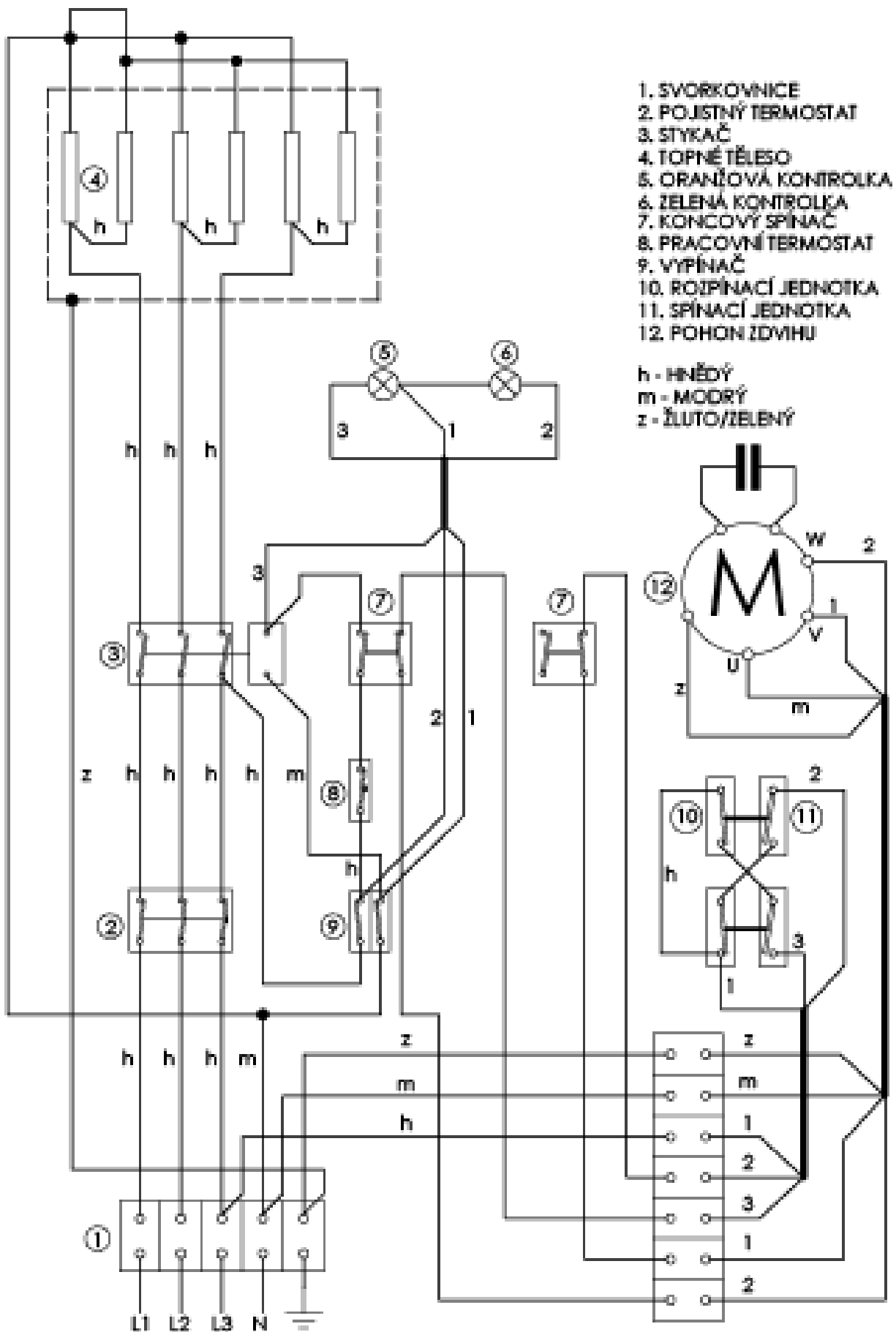


SCH EMAT PODŁĄCZENIA SCHÉMA ZAPOJENÍ



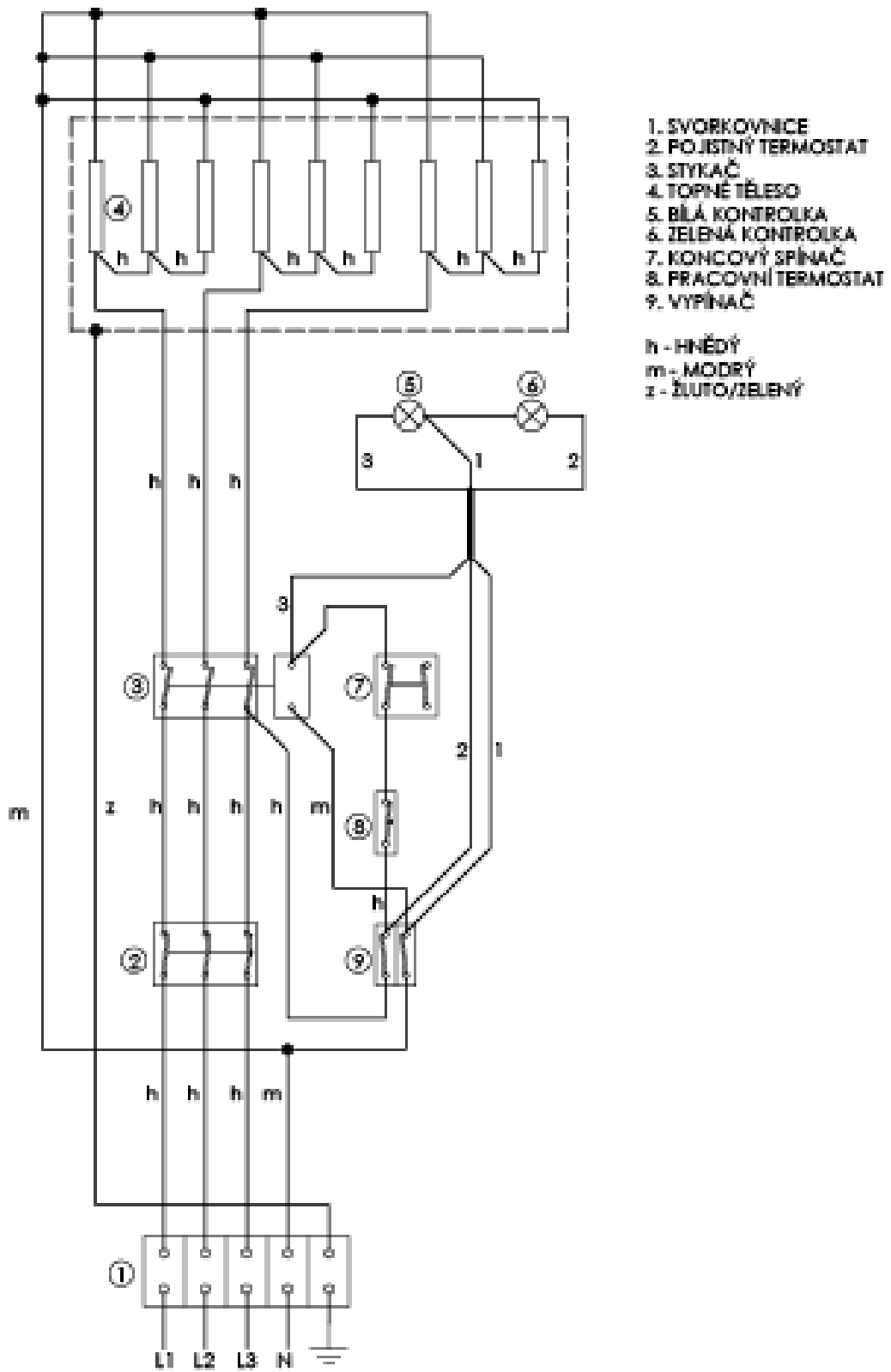
BR-50-78ET, BR-80-98, BR-8-ET

BRM-50-78-ET, BRM-80-98-ET -400V_3N



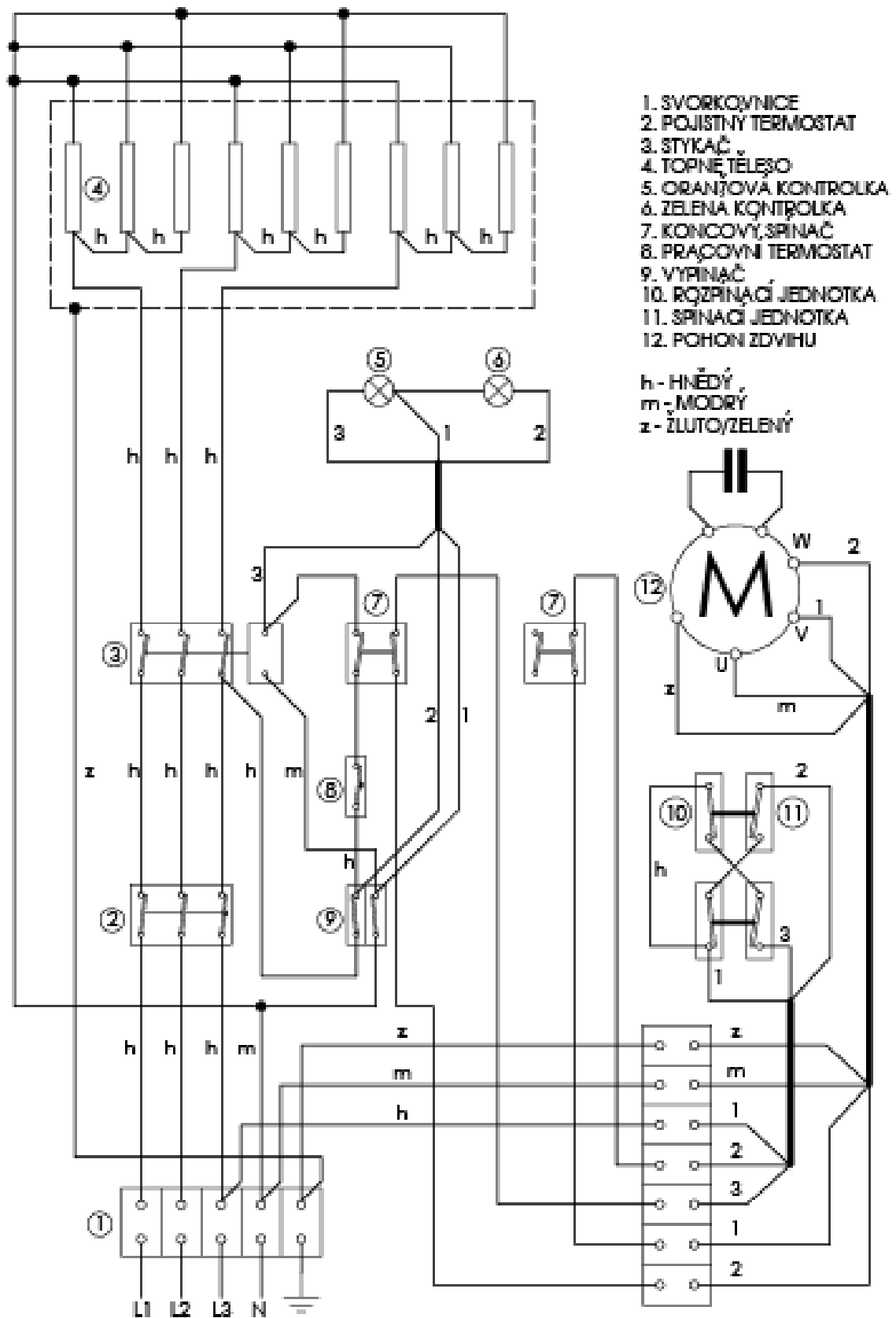
BRM-50-78ET, BRM-80-98-ET 400V/3N

BR-120-912-ET-400V_3N



BR-120-912ET 400V/3N

BRM-120-912-ET-400V_3N



BRM-120-912ET 400V/3N

List of service organizations:

CZ: RM GASTRO CZ s. r. o., Náchodská 818/16, Praha 9

Tel. +420 281 926 604, info@rmgastro.cz, www.rmgastro.cz

SK: RM Gastro Slovakia, Rybárska 1, Nové Město nad Váhom

Tel.: +421 32 7717061, obchod@rmgastro.sk, www.rmgastro.sk

PL: RM GASTRO Polska Sp. z o. o., ul. Skoczowska 94, 43-450 Ustroń

Tel.: +33 854 73 26, www.rmgastro.pl